

Fisher® FIELDVUE™ DVC6000 Digital Valve Controllers

Contents

Using this Guide 8
 Installation 10
 Basic Setup and Calibration 32
 Specifications 41
 Related Documents 44
 Loop Schematics and Nameplates 46

This guide applies to DVC6010, DVC6020, and DVC6030 digital valve controllers:

<i>Instrument Level</i>	<i>HC, AD, PD</i>	<i>AC</i>
<i>Device Type</i>	<i>03</i>	<i>07</i>
<i>Device Revision</i>	<i>2</i>	<i>2</i>
<i>Hardware Revision</i>	<i>1</i>	<i>1</i>
<i>Firmware Revision</i>	<i>7, 9 & 10</i>	<i>7, 9 & 10</i>
<i>DD Revision</i>	<i>3</i>	<i>1</i>



Note

This guide provides installation, initial setup, and calibration information for DVC6000 digital valve controllers. For additional information, refer to the DVC6000 digital valve controllers instruction manual (D102794X012), available from your Emerson Process Management sales office, or from our website at www.FIELDVUE.com.

The DVC6000 digital valve controller instruction manual (D102794X012) can be found at www.FIELDVUE.com
http://www.documentation.emersonprocess.com/groups/public/documents/instruction_manuals/d102794x012.pdf

Refer to Related Documents on page 44 for other documents containing information related to DVC6000 digital valve controllers



Fast-Key Sequence for Instrument Level HC, AD, PD, and ODV

Function/Variable	Fast-Key Sequence	Coordinates ⁽¹⁾
Actuator Style	1-2-6-4	3-D
Alert Conditions	2-1	2-F
Alert Record Full Enable	1-2-3-6-2 <i>1-2-3-7-2</i>	10-H
Alert Record Not Empty Alert Enable	1-2-3-6-1 <i>1-2-3-7-1</i>	10-H
Analog Input	3-1	2-G
Analog Input Calibration	1-3-2-3	4-E
Analog Input Range Hi	1-2-5-3-1	6-H
Analog Input Range Lo	1-2-5-3-2	6-H
Analog Input Units	1-2-5-2-3	6-G
Auto Travel Calibration	1-3-1-1	4-E
Autocalibration in Progress Enable	1-2-4-2-2	8-H
Auxiliary Input	3-6-1 1-2-3-3-2-2	4-H 12-D
Auxiliary Terminal Alert Enable	1-2-3-3-2-1	12-E
Auxiliary Terminal Mode	1-2-3-3-2-3 1-2-5-7	12-E 4-G
Burst Command	1-2-1-4-2	6-B
Burst Enable	1-2-1-4-1	6-B
Calibration in Progress Enable	1-2-4-2-1	8-I
Calibration Location	1-2-5-9-2	6-H
Clear Record	1-2-3-6-4 <i>1-2-3-7-4</i>	10-H
Command 3 (Trending) Pressure	1-2-1-4-3	5-A
Control Mode	Hot Key-2 1-2-1-2	1-A 4-B
Critical NVM Shutdown	1-2-3-1-3-4	12-C
Cycle Count	1-2-3-5-1-2 3-6-5	12-H 4-H
Cycle Count Alert Enable	1-2-3-5-1-1	12-H
Cycle Count Alert Point	1-2-3-5-1-3	12-H
Date	1-2-5-1-4	6-G
Dead Band (Cycle Count / Travel Accum)	1-2-3-5-2-1	12-H
Define Custom Characteristic	1-2-2-4	4-C
Descriptor	1-2-5-1-3	6-F
Device Description Information	3-8	2-G
Device ID	3-7-2	2-H
Device Revision	3-7-5	2-H
Diagnostic Data Available Enable	1-2-4-2-4	8-H
Diagnostic in Progress Enable	1-2-4-2-3	8-H
Display Record	1-2-3-6-3 <i>1-2-3-7-3</i>	10-H
Drive Current Shutdown	1-2-3-1-1	8-D
Drive Signal	3-4 1-2-3-1-2-2	2-G 10-D
Drive Signal Alert Enable	1-2-3-1-2-1	10-D

Function/Variable	Fast-Key Sequence	Coordinates ⁽¹⁾
Edit Feedback Connection	1-2-6-6	3-E
End Point Control Enable ⁽³⁾	1-2-2-2-5-1	8-D
Failure Group Enable	1-2-3-6-5-1 <i>1-2-3-7-5-1</i>	10-I
Firmware Revision	3-7-6	2-H
Flash ROM Shutdown	1-2-3-1-3-5	12-C
Hardware Revision	3-7-7	2-H
HART Tag	1-2-5-1-1 3-7-1	6-F 2-H
HART Universal Revision	3-7-9	2-H
Input Characterization	1-2-2-3	4-C
Instrument Date and Time	1-2-4-1-2 1-2-5-8	8-G 4-G
Instrument Level	3-7-8	2-H
Instrument Mode	Hot Key-1 1-2-1-1	1-A 4-B
Instrument Serial Number	1-2-5-1-6	6-G
Instrument Time Invalid Enable	1-2-4-1-1	8-G
Integral Dead Zone	1-2-4-4-4 1-2-2-1-2-1	8-I 8-B
Integral Limit	1-2-4-4-3 1-2-2-1-2-2	8-I 8-B
Integrator Saturated Hi Enable	1-2-4-4-1	8-I
Integrator Saturated Lo Enable	1-2-4-4-2	8-I
Lag Time ⁽⁵⁾	1-2-2-5-3	5-D
Last Calibration Status	1-2-5-9-1	6-H
Lead/Lag ⁽³⁾	1-2-2-5-3	5-D
Loop Current Validation ⁽⁶⁾	1-2-3-3-3	9-E
Low Power Write	1-2-3-1-3-2	12-B
Manual Travel Calibration	1-3-1-2	4-E
Manufacturer - instrument	1-2-6-1	3-D
Manufacturer - actuator	3-7-3	2-H
Maximum Supply Pressure	1-2-5-6	4-G
Message	1-2-5-1-2	6-F
Miscellaneous Group Enable	1-2-3-6-5-3 <i>1-2-3-7-5-3</i>	10-I
Model	3-7-4	2-H
Multi-Drop Alert Enable	1-2-4-3-2	8-H
No Free Time Shutdown	1-2-3-1-3-6	12-C
Non-Critical NVM Alert Enable	1-2-3-1-3-3	12-C
Number of Power Ups	2-3-4 3-6-9	4-G 4-H
Offline/Failed Alert Enable	1-2-3-1-3-1	12-B
Partial Stroke Test ⁽³⁾	2-5	2-F
Partial Stroke Test Enable ⁽³⁾	1-2-7-1	3-D
Partial Stroke Test Pressure Limit ⁽³⁾	1-2-3-6-1	10-G
Partial Stroke Test Start Point ⁽³⁾	1-2-2-2-5-2	8-D

NOTE: *Italicized Fast-Key Sequence* indicates fast-key sequence is applicable only for instrument level ODV.

1. Coordinates are to help locate the item on the menu tree on page 4 and 5.

3. Instrument level ODV only.

5. Instrument level HC, AD, and PD only.

6. Firmware 9 and 10 only.

Fast-Key Sequence for Instrument Level HC, AD, PD, and ODV (continued)

Function/Variable	Fast-Key Sequence	Coordinates ⁽¹⁾
Partial Stroke Test Variables View/Edit ⁽³⁾	1-2-7-2	3-D
Performance Tuner ⁽²⁾	1-1-2	2-B
	1-2-2-1-1-5	8-A
Polling Address	1-2-5-1-7	6-G
Power Starvation Alert Enable ⁽⁷⁾	1-2-3-1-3-2	12-B
Pressure A	3-5-1	4-G
Pressure B	3-5-2	4-G
Pressure Control Active Enable	1-2-4-3-1	8-H
Pressure Deviation Alert Enable ⁽³⁾	1-2-3-6-2	10-G
Pressure Deviation Alert Point ⁽³⁾	1-2-3-6-3	10-G
Pressure Deviation Time ⁽³⁾	1-2-3-6-4	10-G
Pressure Differential	3-5-3	4-G
Pressure Integral Control Enable	1-2-2-1-3-2	8-C
Pressure Integral Gain	1-2-2-1-3-3	8-C
Pressure MLFB Gain	1-2-2-1-3-1-3	10-B
Pressure Proportional Gain	1-2-2-1-3-1-2	10-B
Pressure Range Hi	1-2-2-2-4-1	10-D
Pressure Range Lo	1-2-2-2-4-2	10-D
Pressure Sat Time ⁽³⁾	1-2-2-2-5-4	8-D
Pressure Sensor Shutdown ⁽²⁾	1-2-3-2-3	12-C
Pressure Sensors—Calibration	1-3-2-1	4-E
Pressure Set Point ⁽³⁾	1-2-2-2-5-3	8-D
Pressure Tuning Set	1-2-2-1-3-1-1	10-B
Pressure Units	1-2-5-2-1	6-G
Protection	Hot Key-3	1-A
	1-2-1-5	4-B
Raw Travel Input	3-6-7	4-H
Reference Voltage Shutdown	1-2-3-1-3-7	12-C
Relay Adjust	1-3-3	3-E
Relay Type	1-2-5-4	4-F
Restart Control Mode	1-2-1-3	4-B
Restore Factory Settings	1-3-4	3-E
Run Time	2-3-3	3-F
	3-6-8	4-H
Set Point Rate Close	1-2-2-5-2	5-D
Set Point Rate Open	1-2-2-5-1	5-D
Setup Wizard	1-1-1	2-B
Stabilize/Optimize	Hot Key-4	1-A
	1-1-2 ⁽⁴⁾	2-B
	1-2-2-1-1-4	8-A
Status	2-2	2-F
Stroke Valve	2-4	2-F
Supply Pressure ⁽²⁾	3-5-4	4-G
	1-2-3-3-1-2	12-D
Supply Pressure Lo Alert Enable ⁽²⁾	1-2-3-3-1-1	12-D
Supply Pressure Lo Alert Point ⁽²⁾	1-2-3-3-1-3	12-D
Temperature	3-6-2	4-H
Temperature Maximum	3-6-3	4-H
	2-3-1	3-F
Temperature Minimum	2-3-2	3-F
	3-6-4	4-H

Function/Variable	Fast-Key Sequence	Coordinates ⁽¹⁾
Temperature Sensor Shutdown	1-2-3-2-2	12-C
Temperature Units	1-2-5-2-2	6-G
Travel	3-3	2-G
	1-2-3-4-1	9-E
Travel / Pressure Cutoff Hi	1-2-3-4-7-3	12-F
	1-2-2-2-2-1	10-B
Travel / Pressure Cutoff Lo	1-2-3-4-7-4	10-F
	1-2-2-2-2-2	10-B
Travel / Pressure Select	1-2-2-2-1	5-C
Travel Accumulator	3-6-6	4-H
	1-2-3-5-3-2	12-H
Travel Accumulator Alert Enable	1-2-3-5-3-1	12-H
Travel Accumulator Alert Point	1-2-3-5-3-3	12-I
Travel Alert Dead Band	1-2-3-4-3	9-E
Travel Alert Hi Enable	1-2-3-4-6-1	10-F
Travel Alert Hi Hi Enable	1-2-3-4-5-1	12-E
Travel Alert Hi Hi Point	1-2-3-4-5-3	12-F
Travel Alert Hi Point	1-2-3-4-6-3	10-F
Travel Alert Lo Enable	1-2-3-4-6-2	10-F
Travel Alert Lo Lo Enable	1-2-3-4-5-2	12-E
Travel Alert Lo Lo Point	1-2-3-4-5-4	12-F
Travel Alert Lo Point	1-2-3-4-6-4	10-F
Travel Deviation Alert Enable	1-2-3-4-4-1	10-E
Travel Deviation Alert Point	1-2-3-4-4-2	10-E
Travel Deviation Time	1-2-3-4-4-3	10-E
Travel Integral Control Enable	1-2-2-1-1-2	8-A
Travel Integral Gain	1-2-2-1-1-3	8-A
Travel Limit / Cutoff Hi Alert Enable	1-2-3-4-7-1	12-F
Travel Limit / Cutoff Lo Alert Enable	1-2-3-4-7-2	12-F
Travel Limit Hi	1-2-3-4-7-5	12-G
	1-2-2-2-3-1	10-C
Travel Limit Lo	1-2-3-4-7-6	12-G
	1-2-2-2-3-2	10-C
Travel MLFB Gain	1-2-2-1-1-1-4	10-A
Travel Proportional Gain	1-2-2-1-1-1-2	10-A
Travel Sensor Adjust	1-3-2-2	4-E
Travel Sensor Motion	1-2-6-5	3-E
Travel Sensor Shutdown	1-2-3-2-1	12-C
Travel Set Point	1-2-3-4-2	9-E
	3-2	2-G
Travel Tuning Set	1-2-2-1-1-1-1	10-A
Travel Velocity Gain	1-2-2-1-1-1-3	10-A
Valve Group Enable	1-2-3-6-5-2	10-I
	1-2-3-7-5-2	
Valve Serial Number	1-2-5-1-5	6-F
	1-2-6-2	3-D
Valve Style	1-2-6-3	3-D
Zero Power Condition	1-2-5-5	4-G

NOTE: *Italicized Fast-Key Sequence* indicates fast-key sequence is applicable only for instrument level ODV.

1. Coordinates are to help locate the item on the menu tree on page 4 and 5.

2. Not available in instrument level HC.

3. Instrument level ODV only.

4. Instrument level HC only.

5. Instrument level HC, AD, and PD only.

6. Instrument level HC, AD, and PD only.

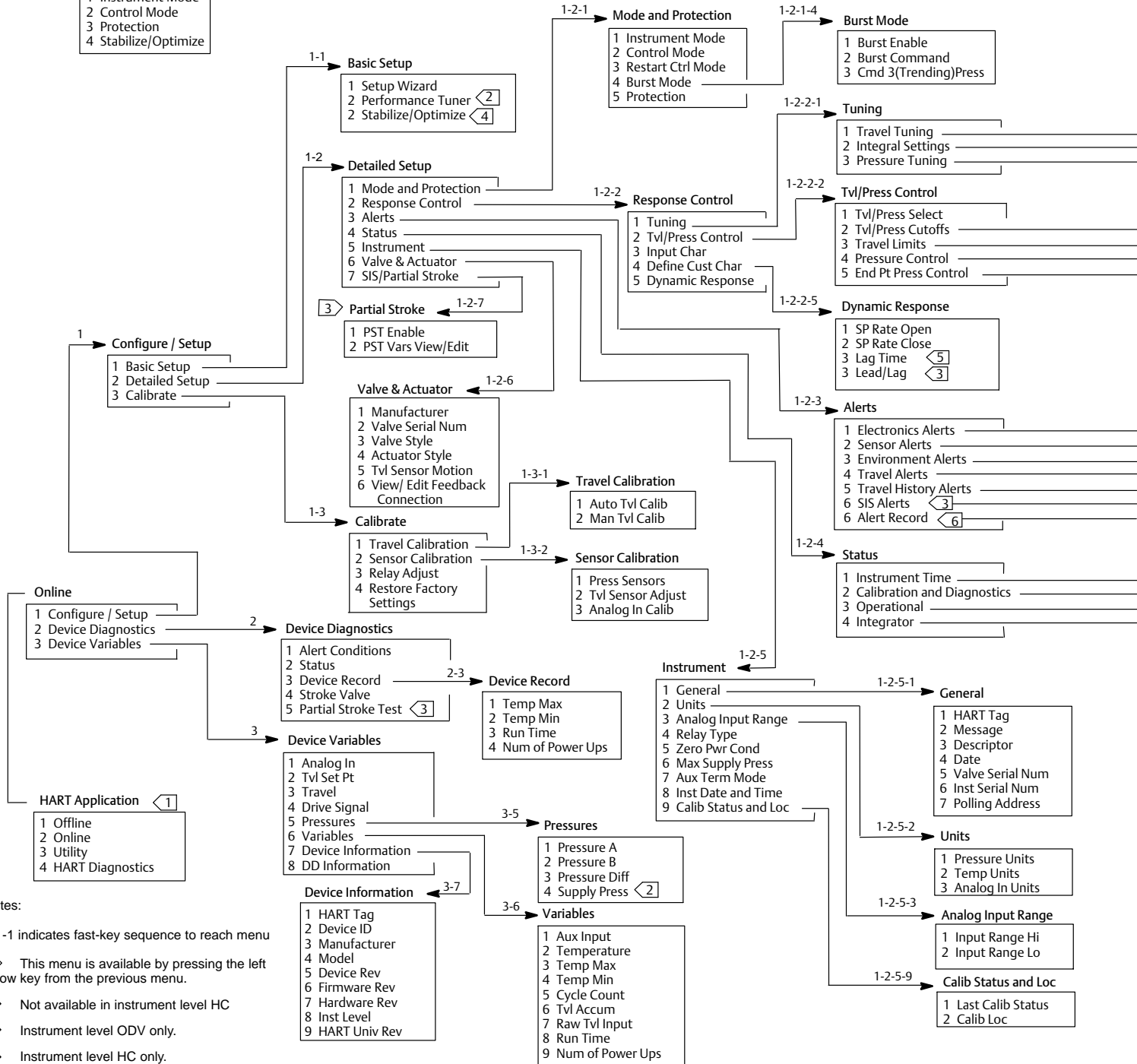
7. Instrument level AD, PD, and ODV only.

Field Communicator Menu Tree for Instrument Level HC, AD, PD, and ODV



Hot Key

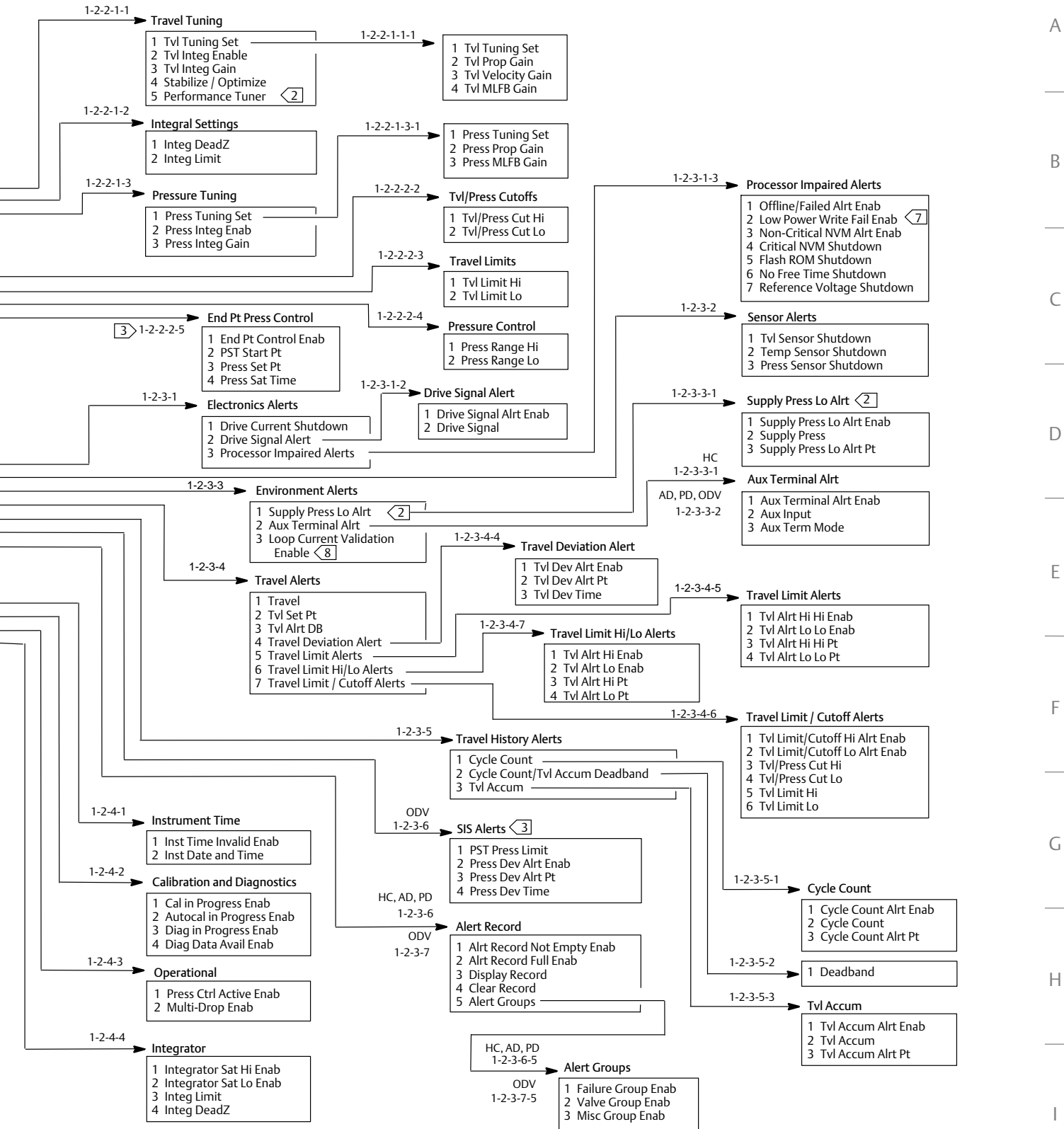
- 1 Instrument Mode
- 2 Control Mode
- 3 Protection
- 4 Stabilize/Optimize



Notes:

1-1-1 indicates fast-key sequence to reach menu

- ① This menu is available by pressing the left arrow key from the previous menu.
- ② Not available in instrument level HC
- ③ Instrument level ODV only.
- ④ Instrument level HC only.
- ⑤ Instrument level HC, AD, and PD only.
- ⑥ Fast key sequence for Alert Record with instrument level ODV is 1-2-3-7.
- ⑦ This menu item reads Power Starvation Alrt Enab in firmware 7.
- ⑧ Only available in firmware 9 and 10.



Fast-Key Sequence for Instrument Level AC

Function/Variable	Fast-Key Sequence	Coordinates ⁽¹⁾
Actuator Style	1-1-2-2-4	4-C
Analog Input Calibration	1-3-1	3-F
Analog Input Range Hi	1-2-2-2	4-E
Analog Input Range Lo	1-2-2-3	4-E
Analog Input Units	1-2-2-1	4-E
Auto Travel Calibration	1-1-2-3-4	4-D
	1-3-2	3-F
	1-1-1-3	3-C
Calibration Location	1-3-5	3-G
Date	1-2-1-4	3-D
Descriptor	1-2-1-3	3-D
Device Description Revision	2-2	2-F
Device Identification	2-1-6	3-H
Device Revision	2-1-2	3-G
Feedback Connection	1-1-2-2-5	4-C
Firmware Revision	2-1-3	3-G
Hardware Revision	2-1-4	3-G
HART Tag	1-2-1-1	3-D
HART Universal Revision	2-1-1	3-G
Input Characterization	1-2-3-6	4-F
Instrument Level	2-1-5	3-H
Instrument Mode	Hot Key-1	1-B
	1-1-2-1	3-C
Instrument Serial Number	1-2-1-6	3-D
Integral Dead Zone	1-2-3-3-1	6-F
Integral Limit	1-2-3-3-2	6-F
Manual Travel Calibration	1-3-3	3-F
Maximum Supply Pressure	1-1-2-2-3	4-C
Message	1-2-1-2	3-D
Polling Address	1-2-1-7	3-E
Pressure Integral Control Enable	1-2-3-4-2	6-G
Pressure Integral Gain	1-2-3-4-3	6-G
Pressure MLFB Gain	1-1-2-3-2-3	6-D
	1-2-3-4-1-3	5-H

Function/Variable	Fast-Key Sequence	Coordinates ⁽¹⁾
Pressure Proportional Gain	1-1-2-3-2-2	6-D
	1-2-3-4-1-2	5-H
Pressure Range Hi	1-2-3-5-1	4-G
Pressure Range Lo	1-2-3-5-2	4-G
Pressure Tuning Set	1-1-2-3-2-1	6-D
	1-2-3-4-1-1	6-G
Pressure Units	1-1-2-2-2	4-C
	1-2-2-4	4-E
Protection	Hot Key-2	1-B
Relay Adjust	1-1-1-2	3-B
	1-1-2-3-3	4-D
	1-3-6	3-G
Relay Type	1-2-4	3-E
Restore Factory Settings	1-3-4	3-F
Setup Wizard	1-1-1-1	3-D
Travel Integral Gain	1-2-3-2-3	6-F
Travel Integral Enable	1-2-3-2-2	6-F
Travel MLFB Gain	1-1-2-3-1-4	6-C
	1-2-3-2-1-4	6-E
Travel / Pressure Select	1-1-2-2-1	4-C
	1-2-3-1	4-F
Travel Proportional Gain	1-1-2-3-1-2	6-C
	1-2-3-2-1-2	6-E
Travel Sensor Adjust	1-3-7	3-G
Travel Sensor Motion	1-1-2-2-6	4-C
Travel Tuning Set	1-1-2-3-1-1	6-C
	1-2-3-2-1-1	6-E
Travel Velocity Gain	1-1-2-3-1-3	6-C
	1-2-3-2-1-3	6-E
Valve Serial Number	1-2-1-5	3-D
Valve Style	1-1-2-2-7	4-C
Zero Power Condition	1-1-2-2-8	4-C

1. Coordinates are to help locate the item on the menu tree on page 7.

Product Description

DVC6000 digital valve controllers (figure 1 and 2) are communicating, microprocessor-based current-to-pneumatic instruments. In addition to the traditional function of converting an input current signal to a pneumatic output pressure, the DVC6000 digital valve controller communicate via HART® protocol.

DVC6000 digital valve controllers are designed to directly replace standard pneumatic and electro-pneumatic valve mounted positioners.

Figure 1. FIELDVUE DVC6010 Digital Valve Controller Mounted on a Fisher Sliding-Stem Valve Actuator



Figure 2. Fisher Rotary Control Valve with FIELDVUE DVC6020 Digital Valve Controller



Note

Do not install, operate, or maintain a DVC6000 digital valve controller without being fully trained and qualified in valve, actuator, and accessory installation, operation, and maintenance. To avoid personal injury or property damage, it is important to carefully read, understand, and follow all contents of this quick start guide, including all safety cautions and warnings. If you have any questions about these instructions, contact your Emerson Process Management sales office before proceeding.

Using this Guide

This guide describes how to install, setup, and calibrate DVC6000 digital valve controllers. Additional information for installing, operating, and maintaining the DVC6000 digital valve controller can be found in the related documents listed on page 44. Refer to table 1 for details on the capabilities of each diagnostic tier.

Table 1. Instrument Level Capabilities

Capability	Diagnostic Level				
	AC	HC	AD	PD	ODV
Auto Calibration	X	X	X	X	X
Custom Characterization	X	X	X	X	X
Burst Communication		X	X	X	X
Alerts		X	X	X	X
Step Response, Drive Signal Test & Dynamic Error Band			X	X	X
Advanced Diagnostics (Valve Signature)			X	X	X
Performance Tuner			X	X	X
Travel Control - Pressure Fallback			X	X	X
Performance Diagnostics				X	X
Solenoid Valve Testing				X	X
Lead/Lag Input Filter ⁽¹⁾					X

1. Refer to brochure part # D351146X012/D351146X412 for information on Fisher optimized digital valves for compressor anti-surge applications.

This guide describes instrument setup and calibration using a 475 Field Communicator. For information on using the Field Communicator, see the 475 Field Communicator User's Manual, available from your Emerson Process Management sales office.

Note

Menu sequences for the 475 Field Communicator are found at the beginning of this guide. These menu sequences are also applicable to the 375 Field Communicator.

You can also setup and calibrate the instrument using a personal computer and ValveLink software or AMS Suite: Intelligent Device Manager. For information on using ValveLink software or AMS Device Manager with a FIELDVUE instrument, refer to the appropriate documentation or online help.

Displaying the Field Communicator Device Description Revision Number

Device Description (DD) revision identifies the version of the Fisher Device Description that resides in the Field Communicator. The device description defines how the Field Communicator interacts with the user and instrument. You can display the DD revision from the Offline or Online menu.

Offline Menu—To see the Field Communicator device description revision number from the Offline menu, select *Utility*, *Simulation*, *Fisher Controls*, and *DVC6000*.

Online Menu—To see the Field Communicator device description revision number from the Online menu, connect the Field Communicator to an instrument connected to a source supplying a 4-20 mA signal. From the Online menu, select *Device Variables* and *DD Information*.

Displaying the FIELDVUE Instrument Firmware Revision Number

To view the instrument firmware revision, connect the Field Communicator to an instrument connected to a source supplying a 4-20 mA signal. From the Online menu, select *Device Variables*, *Device Information*, and *Firmware Rev*.

Note

Neither Emerson, Emerson Process Management, nor any of their affiliated entities assume responsibility for the selection, use, or maintenance of any product. Responsibility for the selection, use, and maintenance of any product remains with the purchaser and end user.

Installation

The DVC6000 can be used with either air or natural gas as the supply medium. If using natural gas as the pneumatic supply medium, natural gas will be used in the pneumatic output connections of the DVC6000 to any connected equipment. In normal operation the unit will vent the supply medium into the surrounding atmosphere unless it is remotely vented. When using natural gas as the supply medium, in a non-hazardous location in a confined area, remote venting of the unit is required. Failure to do so could result in personal injury, property damage, and area re-classification. For hazardous locations remote venting of the unit may be required, depending upon the area classification, and as specified by the requirements of local, regional, and federal codes, rules and regulations. Failure to do so when necessary could result in personal injury, property damage, and area re-classification.

Note

Gas Certified DVC6000 digital valve controllers are approved by CSA, FM, ATEX, IECEx, and INMETRO for use with natural gas as the supply medium.

WARNING

Avoid personal injury or property damage from sudden release of process pressure or bursting of parts. Before proceeding with any installation procedures:

- Always wear protective clothing, gloves, and eyewear to prevent personal injury or property damage.
 - Do not remove the actuator from the valve while the valve is still pressurized.
 - Personal injury or property damage may result from fire or explosion if natural gas is used as the supply medium and appropriate preventive measures are not taken. Preventive measures may include, but are not limited to, one or more of the following: Remote venting of the unit, re-evaluating the hazardous area classification, ensuring adequate ventilation, and the removal of any ignition sources. For information on remote venting of this controller, refer to page 27.
 - Disconnect any operating lines providing air pressure, electric power, or a control signal to the actuator. Be sure the actuator cannot suddenly open or close the valve.
 - Use bypass valves or completely shut off the process to isolate the valve from process pressure. Relieve process pressure from both sides of the valve.
 - Vent the pneumatic actuator loading pressure and relieve any actuator spring precompression.
 - Use lock-out procedures to be sure that the above measures stay in effect while you work on the equipment.
 - Check with your process or safety engineer for any additional measures that must be taken to protect against process media.
-

WARNING

To avoid static discharge from the plastic cover, do not rub or clean the cover with solvents. To do so could result in an explosion. Clean with a mild detergent and water only.

WARNING

This unit vents the supply medium into the surrounding atmosphere. When installing this unit in a non-hazardous (non-classified) location in a confined area, with natural gas as the supply medium, you must remotely vent this unit to a

safe location. Failure to do so could result in personal injury or property damage from fire or explosion, and area re-classification.

When installing this unit in a hazardous (classified) location remote venting of the unit may be required, depending upon the area classification, and as specified by the requirements of local, regional, and federal codes, rules and regulations. Failure to do so when necessary could result in personal injury or property damage from fire or explosion, and area re-classification.

Vent line piping should comply with local and regional codes and should be as short as possible with adequate inside diameter and few bends to reduce case pressure buildup.

In addition to remote venting of the unit, ensure that all caps and covers are correctly installed. Failure to do so could result in personal injury or property damage from fire or explosion, and area re-classification.

Special Instructions for “Safe Use” and Installations in Hazardous Locations

Certain nameplates may carry more than one approval, and each approval may have unique installation/wiring requirements and/or conditions of “safe use”. These special instructions for “safe use” are in addition to, and may override, the standard installation procedures. Special instructions are listed by approval.

⚠ WARNING

Failure to follow these conditions of “safe use” could result in personal injury or property damage from fire or explosion, or area re-classification.

⚠ WARNING

The apparatus enclosure contains aluminum and is considered to constitute a potential risk of ignition by impact or friction. Avoid impact and friction during installation and use to prevent risk of ignition.

CSA

Special Conditions of Safe Use

Intrinsically Safe, Explosion-proof, Division 2, Dust Ignition-proof

No special conditions for safe use.

Refer to table 2 for approval information, figure 24 for the CSA loop schematic, and figure 25 for the CSA nameplate.

Table 2. Hazardous Area Classifications—CSA (Canada)

Certification Body	Type	Certification Obtained	Entity Rating	Temperature Code	Enclosure Rating
CSA	DVC60x0 DVC60x0S (x = 1,2,3)	Ex ia Intrinsically Safe Class I,II,III Division 1 GP A,B,C,D,E, F,G per drawing GE42818 T5 Natural Gas Approved	V _{max} = 30 VDC I _{max} = 226 mA C _i = 5 nF L _i = 0.55 mH	T5(T _{amb} ≤ 80°C)	Type 4X, IP66 Single Seal Device
		Explosion-proof Class I Division 1 GP B,C,D T6 Natural Gas Approved	---	T6(T _{amb} ≤ 80°C)	Type 4X, IP66 Single Seal Device
		Class I Division 2 GP A,B,C,D T6 Class II Division 1 GP E,F,G T6 Class II Division 2 GP F,G T6 Class III Natural Gas Approved	---	T6(T _{amb} ≤ 80°C)	Type 4X, IP66 Single Seal Device

FM

Special Conditions of Safe Use

Intrinsically Safe, Explosion-proof, Non-incendive, Dust Ignition-proof

1. When product is used with natural gas as the pneumatic medium, the maximum working pressure of the natural gas supply shall be limited to 145psi.
2. When product is used with natural gas as the pneumatic medium the product shall not be permitted in a Class I, Division 2, Group A, B, C, D location without the proper venting installation as per the manufacturer's instruction manual.

Refer to table 2 for approval information, figure 26 for the FM loop schematic, and figure 27 for the FM nameplate.

Table 3. Hazardous Area Classifications—FM (United States)

Certification Body	Type	Certification Obtained	Entity Rating	Temperature Code	Enclosure Rating
FM	DVC60x0 DVC60x0S (x = 1,2,3)	Intrinsically Safe Class I,II,III Division 1 GP A,B,C,D,E,F,G per drawing GE42819 T5 Natural Gas Approved	V _{max} = 30 VDC I _{max} = 226 mA C _i = 5 nF L _i = 0.55 mH P _i = 1.4 W	T5(T _{amb} ≤ 80°C)	NEMA 4X
		Explosion-proof Class I Division 1 GP B,C,D T6 Natural Gas Approved	---	T6(T _{amb} ≤ 80°C)	NEMA 4X
		Class I Division 2 GP A,B,C,D T6 Class II Division 1 GP E,F,G T6 Class II Division 2 GP F,G T6 Class III Natural Gas Approved	---	T6(T _{amb} ≤ 80°C)	NEMA 4X

ATEX

Special Conditions for Safe Use

Intrinsically Safe, Dust

1. This apparatus can only be connected to an intrinsically safe certified equipment and this combination must be compatible as regards the intrinsically safe rules.
2. The electrical parameters of this equipment must not exceed any following values:
U₀ ≤ 30 V; I₀ ≤ 226 mA; P₀ ≤ 1.4 W
3. Operating ambient temperature: -52°C or -40°C to + 80°C
4. For the model with aluminum body: the apparatus must not be submitted to frictions or mechanical impacts.
5. Covered by standards EN 60079-0 (2006), EN 60079-11 (2007), EN 60079-26 (2007), EN 61241-0 (2006), and EN 61241-11 (2006).

Refer to table 4 for additional approval information, and figure 28 for the the ATEX Intrinsically Safe, Dust nameplate.

Flameproof, Dust

Operating ambient temperature: -52°C or -40°C to + 85°C

Refer to table 4 for additional approval information, and figure 29 for the ATEX Flameproof, Dust nameplate.

Type n, Dust

Operating ambient temperature: -52°C or -40°C to + 80°C

Refer to table 4 for additional approval information, and figure 30 for the ATEX Type n, Dust nameplate.

Table 4. Hazardous Area Classifications—ATEX

Certificate	Type	Certification Obtained	Entity Rating	Temperature Code	Enclosure Rating
ATEX	DVC60x0 DVC60x0S (x = 1,2,3)	Ⓢ II 1 G & D Intrinsically Safe Gas Ex ia IIC T5/T6 Ga Dust Ex iaD 20 T100°C (Tamb ≤ 80°C) Ex iaD 20 T85°C (Tamb ≤ 75°C) Natural Gas Approved	Ui = 30 VDC li = 226 mA Ci = 5 nF Li = 0.55 mH Pi = 1.4 W	T5(Tamb ≤ 80°C) T6(Tamb ≤ 75°C)	IP66
		Ⓢ II 2 G & D Flameproof Gas Ex d IIC T5/T6 Dust Ex tD A21 IP66 T90°C (Tamb ≤ 85°C) Ex tD A21 IP66 T80°C (Tamb ≤ 75°C) Natural Gas Approved	---	T5(Tamb ≤ 85°C) T6(Tamb ≤ 75°C)	IP66
		Ⓢ II 3 G & D Type n Gas Ex nCnL IIC T5/T6 Dust Ex tD A22 IP66 T85°C (Tamb ≤ 80°C) Ex tD A22 IP66 T80°C (Tamb ≤ 75°C) Natural Gas Approved	---	T5(Tamb ≤ 80°C) T6(Tamb ≤ 75°C)	IP66

IECEX

Conditions of Certification

Intrinsically Safe, Flameproof, Type n

Ex ia / Ex nC / Ex d

1. **Warning:** Electrostatic charge hazard. Do not rub or clean with solvents. To do so could result in an explosion.

Ex nC / EX d

2. Do not open while energized.

Refer to table 5 for additional approval information, figure 31 for the IECEX loop schematic and figure 32 for the IECEX nameplate.

Table 5. Hazardous Area Classifications—IECEX

Certificate	Type	Certification Obtained	Entity Rating	Temperature Code	Enclosure Rating
IECEX	DVC60x0 DVC60x0S (x = 1,2,3)	Intrinsically Safe Gas Ex ia IIC T5/T6 per drawing GE42990 Natural Gas Approved	Ui = 30 VDC li = 226 mA Ci = 5 nF Li = 0.55 mH Pi = 1.4 W	T5(Tamb ≤ 80°C) T6(Tamb ≤ 75°C)	IP66
		Flameproof Gas Ex d IIC T5/T6 Natural Gas Approved	---	T5(Tamb ≤ 80°C) T6(Tamb ≤ 75°C)	IP66
		Type n Gas Ex nC IIC T5/T6 Natural Gas Approved	---	T5(Tamb ≤ 80°C) T6(Tamb ≤ 75°C)	IP66

NEPSI

Notes for Safe Use of the Certified Product

Intrinsically Safe, Dust and Flameproof, Dust

DVC6000 digital valve controllers (designated as controller hereafter) have been proved to be in conformity with the requirements specified in the national standards GB3836.1-2000, GB3836.2-2000, GB3836.4-2000, and GB12476.1-2000 through inspections conducted by National Supervision and Inspection Centre for Explosion Protection and Safety of Instrumentation (NEPSI). The Ex markings for the products are Ex d II CT5 (acetylene not included), DIPA21T5 or Ex ia II CT5, DIPA21T5 respectively and their Ex certificate numbers are GYJ04504 and GYJ04505. When using the product, the user should pay attention to the items stated below:

1. The specific product types of approved DVC6000 digital valve controllers (covered in this quick start guide) at this time are DVC6010, DVC6020 and DVC6030.
2. The enclosure of the controller provides a grounding terminal, and the user should install a reliable grounding wire connected to it when mounting and using the controller.
3. The controller's cable entrance (1/2 NPT) must be fitted with a cable entry device which is Ex-approved through inspection of explosion protection, in conformity with relevant standards of GB3836 and has a corresponding rating of explosion protection.
4. The maximum operating ambient temperature range of the controller is -40°C to $+80^{\circ}\text{C}$.
5. The principle of "Opening equipment's cover is allowed only after the power is off" must be abided by when using and maintaining the controller in the field.
6. The values for intrinsically safe parameters of the controller (Intrinsically safe type) are as follow:
 $U_i = 30\text{V}$, $I_i = 226\text{mA}$, $P_i = 1.4\text{W}$, $C_i = 5\text{nF}$, $L_i = 0.55\text{mH}$
7. While the controller forms an intrinsically safe explosion protection system together with a corresponding associated equipment safety barrier, the following requirements must be met:
 $U_o \leq U_i$, $I_o \leq I_i$, $P_o \leq P_i$, $C_o \geq C_i + C_c$, $L_o \geq L_i + L_c$

Note

Where C_c and L_c represent distributing capacitance and inductance of the connecting cable respectively.

8. The safety barrier must be placed at safety location, and the instruction manuals of both the product and fitted safety barrier must be followed while conducting system wiring and using the product; The connecting cable should be a shield cable with the area of core section being greater than 0.5mm^2 and its shield (or insulation screen) being grounded at a safe location and insulated from the product enclosure; The cable should be routed so that the electro-magnetic interference can be eliminated as much as possible and that the cable distributing parameters of capacitance and inductance can be controlled within $0.06\mu\text{F}/1\text{mH}$.
9. The user must not be allowed to replace the internal electric components of the product and change the condition of system wiring at will and on his own.
10. The user must follow the relevant rules specified by the product instruction manual, the "15th Section of Electric Equipment Used in Explosive Gaseous Environment: Electric Installation in Hazardous Locations (except for coal mine)" of GB3836.15-2000 standard, the "Design Code for Electric Power Installation in Explosive and Fire-hazardous Environment" of GB50058-1992 standard, and the "Safety Regulations against dust explosion" of GB15577-1995 standard while performing installation, operation, and maintenance for the product.

Refer to table 6 for additional approval information, and figure 33 for the NEPSI approvals nameplate.

Table 6. Hazardous Area Classifications—NEPSI

Certificate	Type	Certification Obtained	Entity Rating	Temperature Code	Enclosure Rating
NEPSI	DVC60x0 (x = 1,2,3)	Intrinsically Safe Gas Ex ia IIC T5/T6 Dust DIP A21 T5	U _i = 30 V I _i = 226 mA C _i = 5 nF L _i = 0.55 mH P _i = 1.4 W	T5(T _{amb} ≤ 80°C) T6(T _{amb} ≤ 75°C)	IP66
		Flameproof Gas Ex d IIC T5/T6 Dust DIP A21 T5	---	T5(T _{amb} ≤ 80°C) T6(T _{amb} ≤ 75°C)	IP66

INMETRO

Special Conditions of Safe Use

Intrinsically Safe, Flameproof

Refer to table 7 and figure 34 for approval information.

Contact your Emerson Process Management sales office for additional safe use information.

Table 7. Hazardous Area Classifications—INMETRO

Certificate	Type	Certification Obtained	Entity Rating	Temperature Code	Enclosure Rating
INMETRO	DVC60x0 (x = 1,2,3)	Intrinsically Safe Gas BR-Ex ia IIC T5/T6 Ga per drawing GE42990 Natural Gas Approved	U _i = 30 VDC I _i = 226 mA C _i = 5 nF L _i = 0.55 mH P _i = 1.4 W	T5(T _{amb} ≤ 80°C) T6(T _{amb} ≤ 75°C)	IP66W
		Flameproof Gas BR-Ex d IIC T5/T6 Gb Natural Gas Approved	---	T5(T _{amb} ≤ 80°C) T6(T _{amb} ≤ 75°C)	IP66W
		Type n Gas BR-Ex nC IIC T5/T6 Gc Natural Gas Approved	---	T5(T _{amb} ≤ 80°C) T6(T _{amb} ≤ 75°C)	IP66W

Mounting Guidelines

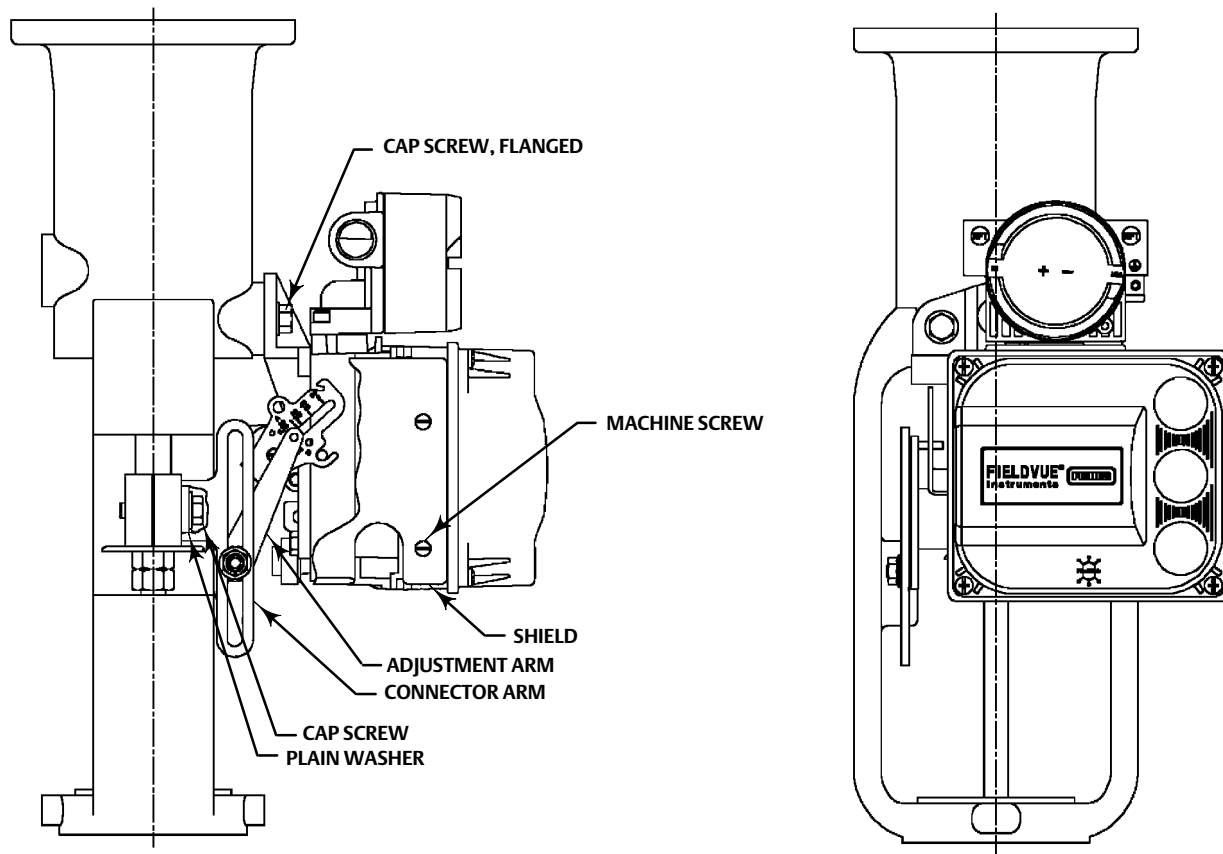
Standard DVC6000 Digital Valve Controllers

If ordered as part of a control valve assembly, the factory mounts the digital valve controller on the actuator, makes pneumatic connections to the actuator, sets up, and calibrates the instrument. If you purchased the digital valve controller separately, you will need a mounting kit to mount the digital valve controller on the actuator. See the instructions that come with the mounting kit for detailed information on mounting the digital valve controller to a specific actuator model.

DVC6010 on Sliding-Stem Actuators Up to 102 mm (4 Inches) of Travel

The DVC6010 digital valve controller mounts on sliding-stem actuators with up to 102 mm (4 inch) travel. Figure 3 shows a typical mounting on an actuator with up to 51 mm (2 inch) travel. Figure 4 shows a typical mounting on actuators with 51 to 102 mm (2 to 4 inch) travel. For actuators with greater than 102 mm (4 inch) travel, see the guidelines for mounting a DVC6020 digital valve controller.

Figure 3. FIELDVUE DVC6010 Digital Valve Controller Mounted on Sliding-Stem Actuators with up to 2 Inches Travel



2981674-A / DOC

Note

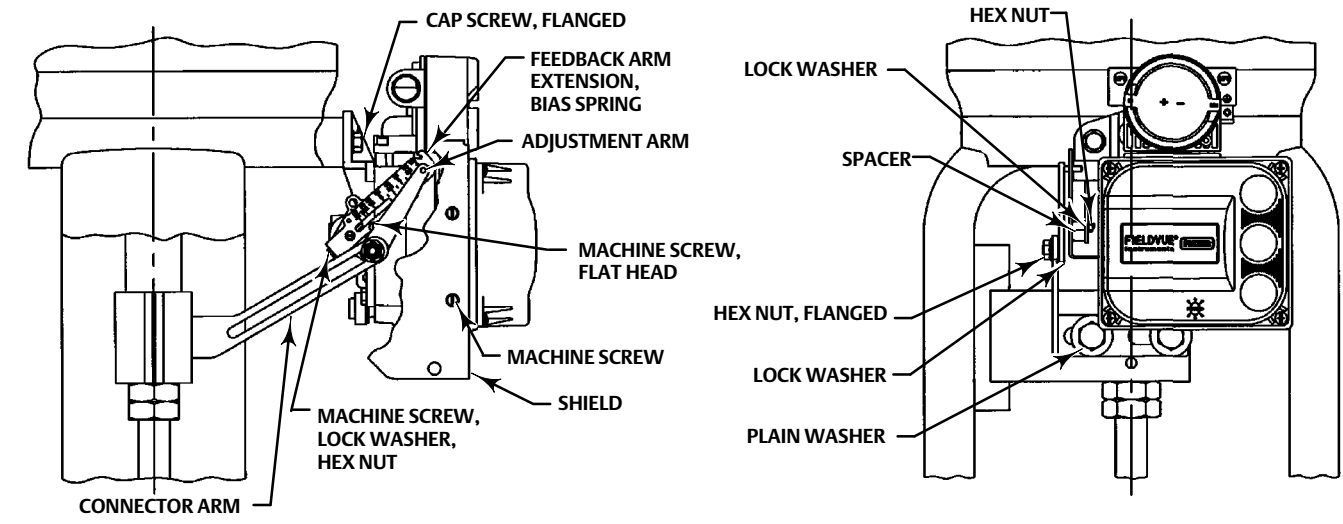
Do not use the stainless steel DVC6010S in high vibration service where the mounting bracket uses standoffs (spacers) to mount to the actuator.

Refer to the following guidelines when mounting on sliding-stem actuators with up to 4 inches of travel.

1. Isolate the control valve from the process line pressure and release pressure from both sides of the valve body. Shut off all pressure lines to the actuator, releasing all pressure from the actuator. Use lock-out procedures to be sure that the above measures stay in effect while you work on the equipment.
2. Attach the connector arm to the valve stem connector.
3. Attach the mounting bracket to the digital valve controller housing.

4. If valve travel exceeds 2 inches, a feedback arm extension is attached to the existing 2-inch feedback arm. Remove the existing bias spring from the 2-inch feedback arm. Attach the feedback arm extension to the feedback arm as shown in figure 4.

Figure 4. FIELDVUE DVC6010 Digital Valve Controller Mounted on Sliding-Stem Actuators with 2 to 4 Inches Travel



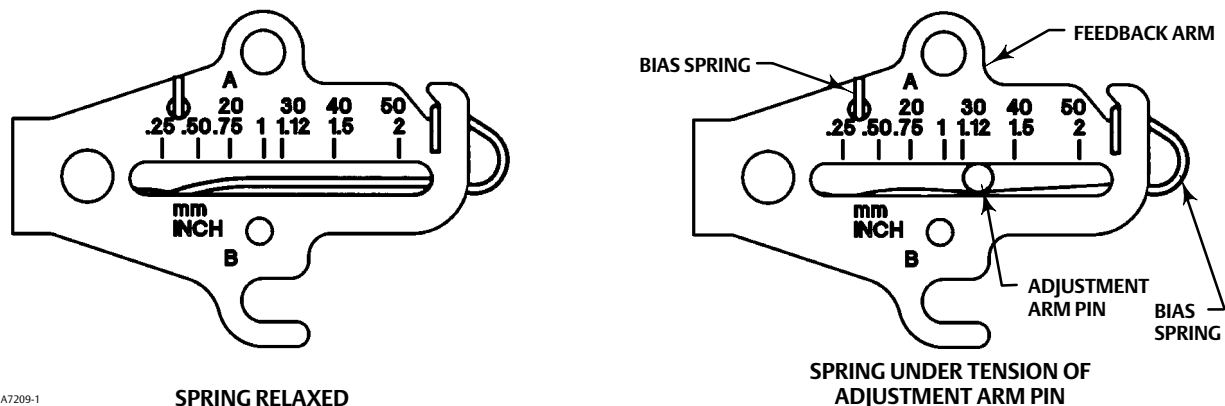
5. Mount the digital valve controller on the actuator as described in the mounting kit instructions.
6. Set the position of the feedback arm on the digital valve controller to the no air position by inserting the alignment pin through the hole on the feedback arm as follows:
 - For air-to-open actuators (i.e., the actuator stem retracts into the actuator casing or cylinder as air pressure to the casing or lower cylinder increases), insert the alignment pin into the hole marked "A". For this style actuator, the feedback arm rotates counterclockwise, from A to B, as air pressure to the casing or lower cylinder increases.
 - For air-to-close actuators (i.e., the actuator stem extends from the actuator casing or cylinder as air pressure to the casing or upper cylinder increases), insert the alignment pin into the hole marked "B". For this style actuator, the feedback arm rotates clockwise, from B to A, as air pressure to the casing or upper cylinder increases.

Note

When performing the following steps, ensure there is enough clearance between the adjustment arm and the feedback arm to prevent interference with the bias spring.

7. Apply anti-seize to the pin of the adjustment arm. As shown in figure 5, place the pin into the slot of the feedback arm or feedback arm extension so that the bias spring loads the pin against the side of the arm with the valve travel markings.
8. Install the external lock washer on the adjustment arm. Position the adjustment arm in the slot of the connector arm and loosely install the flanged hex nut.
9. Slide the adjustment arm pin in the slot of the connector arm until the pin is in line with the desired valve travel marking. Tighten the flanged hex nut.
10. Remove the alignment pin and store it in the module base next to the I/P assembly.
11. After calibrating the instrument, attach the shield with two machine screws.

Figure 5. Locating Adjustment Arm Pin in Feedback Arm



DVC6020 on Sliding-Stem Actuators and Rotary Actuators

DVC6020 digital valve controllers use a cam (designed for linear response) and roller as the feedback mechanism. Figure 6 shows the DVC6020 mounted on rotary actuators.

Note

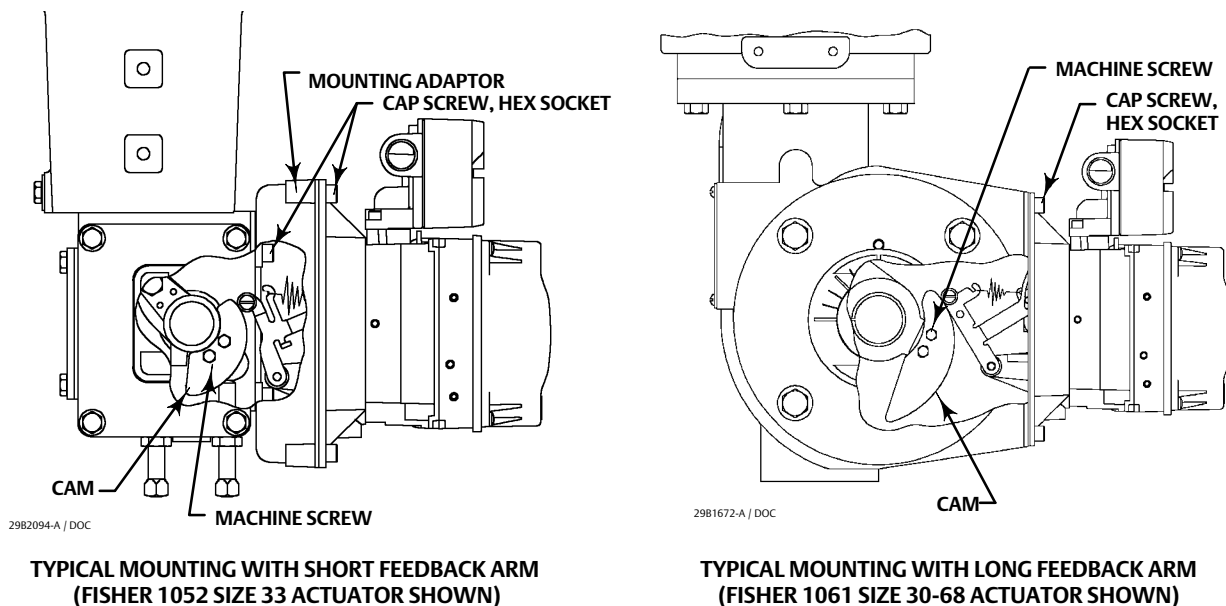
All cams supplied with FIELDVUE mounting kits are characterized to provide a linear response.

Note

Do not use the stainless steel DVC6020S in high vibration service where the mounting bracket uses standoffs (spacers) to mount to the actuator.

As shown in figure 6, two feedback arms are available for the digital valve controller. Installations on Fisher 1051 size 33 and 1052 size 20 and 33 actuators use the short feedback arm [54 mm (2.13 inches) from roller to pivot point]. Most other use the long feedback arm. Make sure the correct feedback arm is installed on the digital valve controller before beginning the mounting procedure.

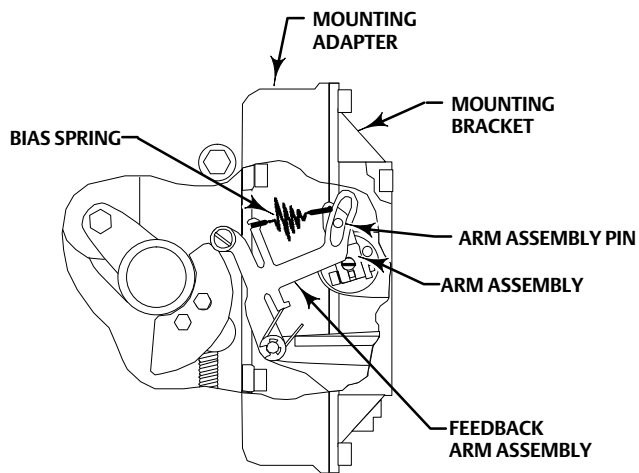
Figure 6. FIELDVUE DVC6020 Digital Valve Controller Mounted on Rotary Actuators



Refer to figure 6 for parts locations. Refer to the following guidelines when mounting on rotary actuators:

1. Isolate the control valve from the process line pressure and release pressure from both sides of the valve body. Shut off all pressure lines to the pneumatic actuator, releasing all pressure from the actuator. Use lock-out procedures to be sure that the above measures stay in effect while working on the equipment.
2. If a cam is not already installed on the actuator, install the cam as described in the instructions included with the mounting kit.
3. If a mounting plate is required, fasten the mounting plate to the actuator.
4. For applications that require remote venting, a pipe-away bracket kit is available. Follow the instructions included with the kit to replace the existing mounting bracket on the digital valve controller with the pipe-away bracket and to transfer the feedback parts from the existing mounting bracket to the pipe-away bracket.
5. Apply anti-seize to the arm assembly pin, as shown in figure 7.

Figure 7. Locating Adjustment Arm Pin in Feedback Arm of a FIELDVUE DVC6020 Digital Valve Controller



6. Mount the DVC6020 on the actuator as follows:

- If required, a mounting adaptor is included in the mounting kit. Attach the adaptor to the actuator as shown in figure 6. Then attach the digital valve controller assembly to the adaptor. The roller on the digital valve controller feedback arm will contact the actuator cam as it is being attached.
- If no mounting adaptor is required, attach the digital valve controller assembly to the actuator or mounting plate. The roller on the digital valve controller feedback arm will contact the actuator cam as it is being attached.

DVC6030 on Quarter-Turn Actuators

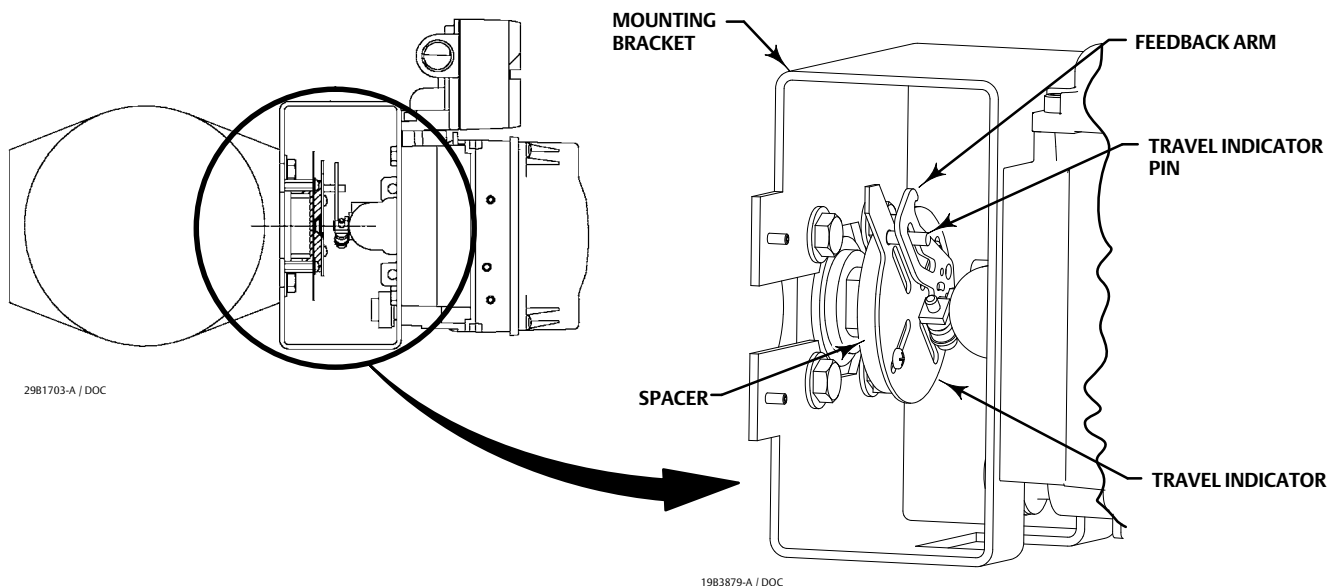
Figure 8 shows the DVC6030 digital valve controller mounted on a quarter-turn actuator. Refer to figure 8 for parts locations. Refer to the following guidelines when mounting on quarter-turn actuators:

Note

Due to NAMUR mounting limitations, do not use the stainless steel DVC6030S in high vibration service.

1. Isolate the control valve from the process line pressure and release pressure from both sides of the valve body. Shut off all pressure lines to the pneumatic actuator, releasing all pressure from the actuator. Use lock-out procedures to be sure that the above measures stay in effect while working on the equipment.
2. If necessary, remove the existing hub from the actuator shaft.
3. If a positioner plate is required, attach the positioner plate to the actuator as described in the mounting kit instructions.

Figure 8. Mounting a FIELDVUE DVC6030 Digital Valve Controller on a Rotary Actuator (Fisher 1032 Size 425A Shown)



4. If required, attach the spacer to the actuator shaft.

Refer to figures 9 and 10. The travel indicator assembly can have a starting position of 7:30 or 10:30. Determine the desired starting position then proceed with the next step. Considering the top of the digital valve controller as the 12 o'clock position, in the next step attach the travel indicator, so that the pin is positioned as follows:

- If increasing pressure from the digital valve controller output A rotates the potentiometer shaft clockwise (as viewed from the back of the instrument), mount the travel indicator assembly so that the arrow is in the 10:30 position, as shown in figure 9.
- If increasing pressure from the digital valve controller output A rotates the potentiometer shaft counterclockwise (as viewed from the back of the instrument), mount the travel indicator assembly so that the arrow is in the 7:30 position, as shown in figure 10.

Note

ValveLink software and the Field Communicator use the convention of clockwise (figure 9) and counterclockwise (figure 10) when viewing the potentiometer shaft from the back of the FIELDVUE instrument.

5. Attach the travel indicator to the shaft connector or spacer as described in the mounting kit instructions.
6. Attach the mounting bracket to the digital valve controller.

Figure 9. Explanation of FIELDVUE DVC6030 Travel Indicator Starting Position and Movement, if Clockwise Orientation is Selected for “Travel Sensor Motion” in ValveLink Software or the Field Communicator

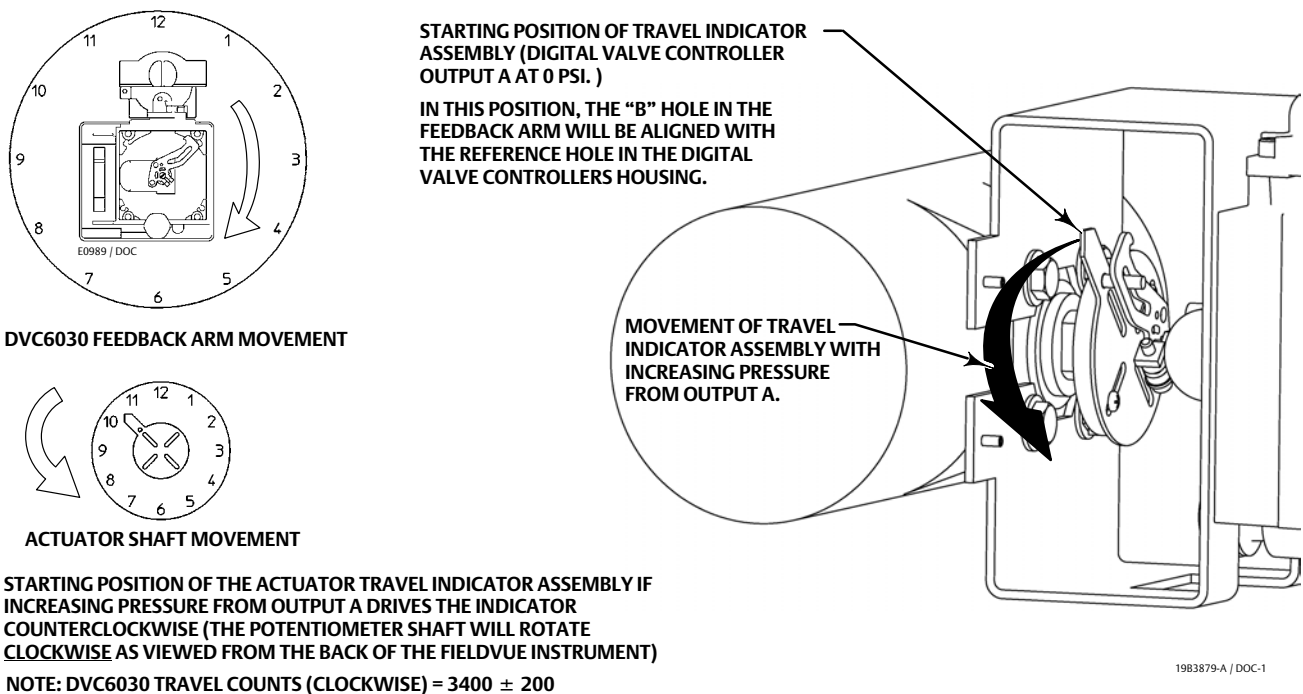
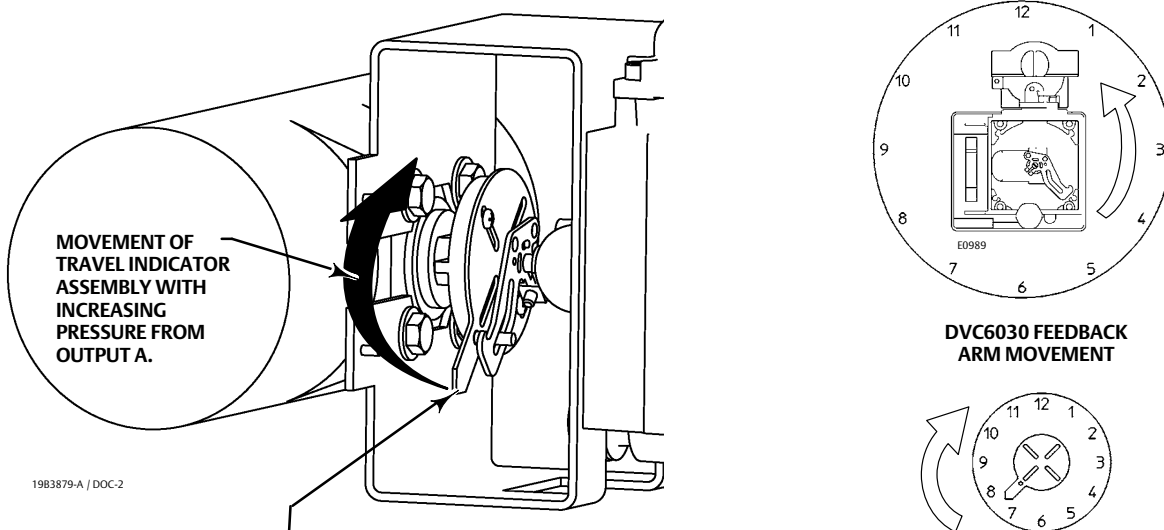


Figure 10. Explanation of FIELDVUE DVC6030 Travel Indicator Starting Position and Movement if Counterclockwise Orientation is Selected for “Travel Sensor Motion” in ValveLink Software or the Field Communicator



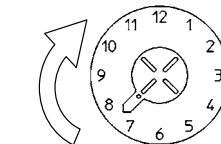
1983879-A / DOC-2

STARTING POSITION OF TRAVEL INDICATOR ASSEMBLY (DIGITAL VALVE CONTROLLER OUTPUT A AT 0 PSI).

IN THIS POSITION, THE “A” HOLE IN THE FEEDBACK ARM WILL BE ALIGNED WITH THE REFERENCE HOLE IN THE DIGITAL VALVE CONTROLLERS HOUSING.

NOTE: DVC6030 TRAVEL COUNTS (COUNTERCLOCKWISE) = 600 ± 200

DVC6030 FEEDBACK ARM MOVEMENT

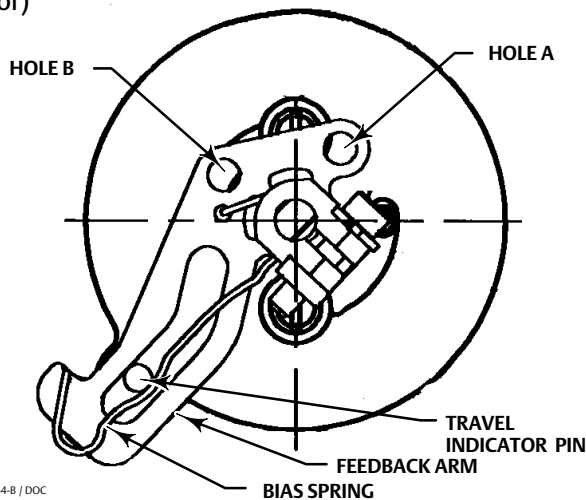


ACTUATOR SHAFT MOVEMENT

STARTING POSITION OF THE TRAVEL INDICATOR ASSEMBLY IF INCREASING PRESSURE FROM OUTPUT A DRIVES THE INDICATOR CLOCKWISE THE POTENTIOMETER SHAFT WILL ROTATE COUNTERCLOCKWISE AS VIEWED FROM THE BACK OF THE FIELDVUE INSTRUMENT.

7. Position the digital valve controller so that the pin on the travel indicator, engages the slot in the feedback arm and that the bias spring loads the pin as shown in figure 11. Attach the digital valve controller to the actuator or positioner plate.
8. If a travel indicator scale is included in the mounting kit, attach the scale as described in the mounting kit instructions.

Figure 11. Positioning Travel Indicator Pin in the Feedback Arm (Viewed as if Looking from the FIELDVUE DVC6030 toward the Actuator)



4884164-B / DOC

Remote-Mount DVC6000 Instruments

Refer to the quick start guide supplement, Remote Mount Installation Guidelines (D103421X012) or the DVC6000 digital valve controller instruction manual (D102794X012).

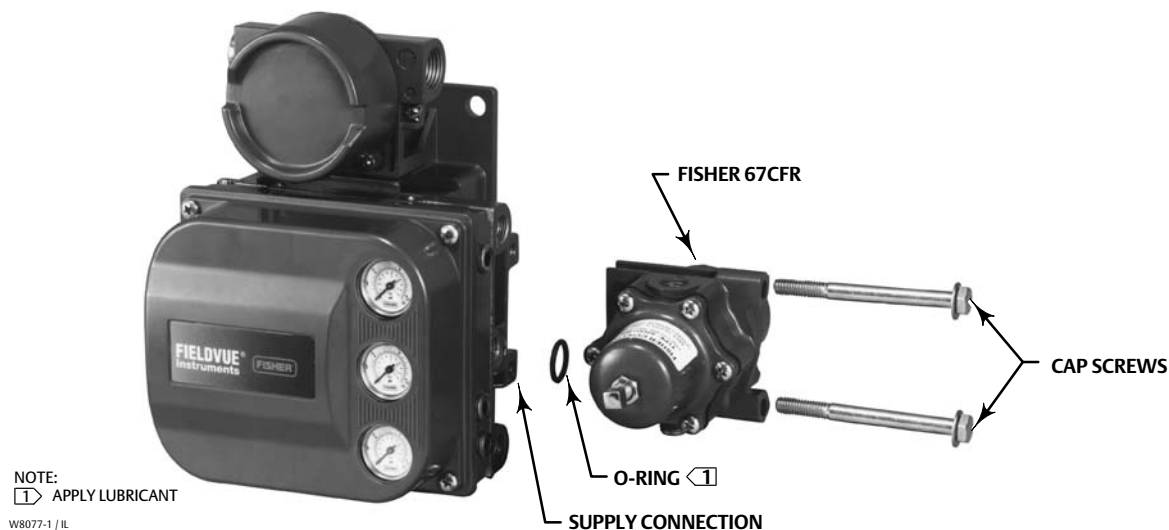
67CFR Filter Regulator

A 67CFR filter regulator, when used with the DVC6000 digital valve controller, can be mounted three ways.

Integral-Mounted Regulator

Refer to figure 12. Lubricate an O-ring and insert it in the recess around the SUPPLY connection on the digital valve controller. Attach the 67CFR filter regulator to the side of the digital valve controller. Thread a 1/4-inch socket-head pipe plug into the unused outlet on the filter regulator. This is the standard method of mounting the filter regulator.

Figure 12. Mounting the Fisher 67CFR Regulator on a FIELDVUE DVC6000 Digital Valve Controller



Yoke-Mounted Regulator

Mount the filter regulator with 2 cap screws to the pre-drilled and tapped holes in the actuator yoke. Thread a 1/4-inch socket-head pipe plug into the unused outlet on the filter regulator. No O-ring is required.

Casing-Mounted Regulator

Use the separate 67CFR filter regulator casing mounting bracket provided with the filter regulator. Attach the mounting bracket to the 67CFR and then attach this assembly to the actuator casing. Thread a 1/4-inch socket-head pipe plug into the unused outlet on the filter regulator. No O-ring is required.

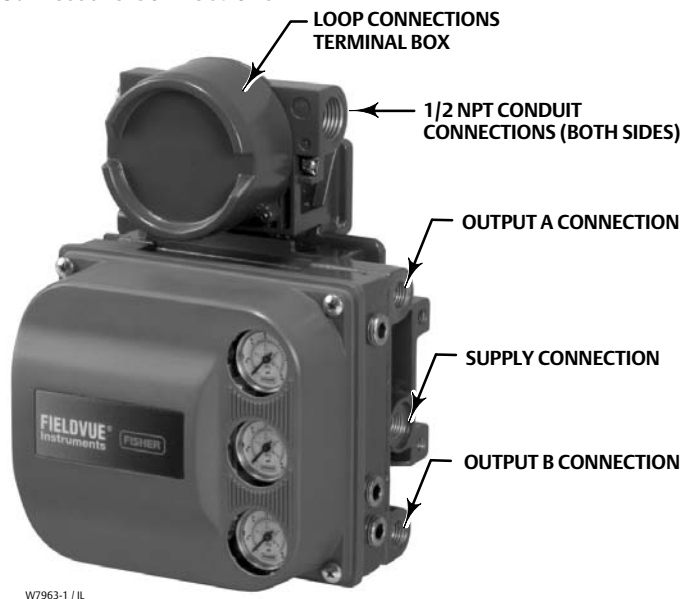
Pressure Connections

Pressure connections are shown in figure 13. All pressure connections on the digital valve controller are 1/4 NPT internal connections. Use at least 10 mm (3/8-inch) tubing for all pressure connections. If remote venting is required, refer to the vent subsection.

Note

Make pressure connections to the digital valve controller using tubing with at least 10 mm (3/8-inch) diameter.

Figure 13. Pressure Connections



Supply Connections

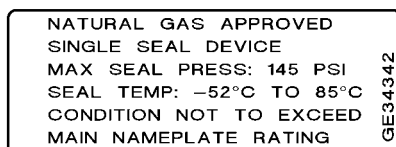
The DVC6000 can be used with air as the supply medium. In addition, Gas Certified DVC6000 constructions can be used with natural gas as the supply medium. If using natural gas as the pneumatic supply medium, natural gas will be used in the pneumatic output connections of the DVC6000 to any connected equipment. In normal operation the unit will vent the supply medium into the surrounding atmosphere unless it is remotely vented.

⚠ WARNING

Not all DVC6000 digital valve controllers are suitable for use with natural gas as the supply medium. If using natural gas as the supply medium, the DVC6000 must be Gas Certified. Using natural gas as the supply medium in a non-gas certified instrument can result in personal injury or property damage.

Gas Certified instruments can be identified by the natural gas approval label shown in figure 14. Contact your Emerson Process Management sales office for information on obtaining a Gas Certified DVC6000 digital valve controller.

Figure 14. Label for Natural Gas Certified Terminal Box



⚠ WARNING

To avoid personal injury and property damage resulting from bursting of parts, do not exceed maximum supply pressure.

⚠ WARNING

Severe personal injury or property damage may occur from an uncontrolled process if the instrument supply medium is not clean, dry, oil-free, and noncorrosive. While use and regular maintenance of a filter that removes particles larger than 40 micrometers in diameter will suffice in most applications, check with an Emerson Process Management field office and industry instrument air quality standards for use with corrosive air or if you are unsure about the amount of air filtration or filter maintenance.

Supply pressure must be clean, dry air that meets the requirements of ISA Standard 7.0.01. A maximum 40 micrometer particle size in the air system is acceptable. Further filtration down to 5 micrometer particle size is recommended. Lubricant content is not to exceed 1 ppm weight (w/w) or volume (v/v) basis. Condensation in the air supply should be minimized.

Alternatively, natural gas may be used as the supply pressure medium. Gas must be clean, dry, oil-free, and noncorrosive. H₂S content should not exceed 20 ppm.

If you are using a 67CFR filter regulator with standard 5 micrometer filter, connect the supply line to the 1/4 NPT IN connection and attach tubing from the output connection on the filter regulator to the SUPPLY connection on the instrument. If you are using an integral mounted 67CFR filter regulator, connect the supply to the IN connection on the regulator.

Output Connection

A factory mounted digital valve controller has its output piped to the supply connection on the actuator. If mounting the digital valve controller in the field, connect the 1/4 NPT digital valve controller output connection to the pneumatic actuator input connection.

Single-Acting Actuators

When using a single-acting direct digital valve controller (relay A or C) on a single-acting actuator, connect OUTPUT A to the actuator pneumatic input.

When using a single-acting reverse digital valve controller (relay B) on a single-acting actuator, connect OUTPUT B to the actuator diaphragm casing.

Double-Acting Actuators

DVC6000 digital valve controllers on double-acting actuators always use relay A. With no input current, OUTPUT A is at 0 pressure and OUTPUT B is at full supply pressure when the relay is properly adjusted.

To have the actuator stem extend from the cylinder with increasing input signal, connect OUTPUT A to the upper actuator cylinder connection. Connect OUTPUT B to the lower cylinder connection. Figure 15 shows the digital valve controller connected to a double-acting piston actuator.

To have the actuator stem retract into the cylinder with increasing input signal, connect OUTPUT A to the lower actuator cylinder connection. Connect OUTPUT B to the upper cylinder connection.

Figure 15. FIELDVUE DVC6010 Digital Valve Controller Mounted on Fisher 585C Piston Actuator



W9131-1

Vent

⚠ WARNING

Personal injury or property damage can occur from cover failure due to overpressure. Ensure that the housing vent opening is open and free of debris to prevent pressure buildup under the cover.

This unit vents the supply medium into the surrounding atmosphere. When installing this unit in a non-hazardous (non-classified) location in a confined area, with natural gas as the supply medium, you must remotely vent this unit to a safe location. Failure to do so could result in personal injury or property damage from fire or explosion, and area re-classification.

When installing this unit in a hazardous (classified) location remote venting of the unit may be required, depending upon the area classification, and as specified by the requirements of local, regional, and federal codes, rules and regulations. Failure to do so when necessary could result in personal injury or property damage from fire or explosion, and area re-classification.

Vent line piping should comply with local and regional codes and should be as short as possible with adequate inside diameter and few bends to reduce case pressure buildup.

In addition to remote venting of the unit, ensure that all caps and covers are correctly installed. Failure to do so could result in personal injury or property damage from fire or explosion, and area re-classification.

The relay output constantly bleeds a small amount of supply medium into the area under the cover. The vent openings at the back of the housing should be left open to prevent pressure buildup under the cover. If a remote vent is required, the vent lines must be as short as possible with a minimum number of bends and elbows.

Wiring and Electrical Connections

⚠ WARNING

To avoid personal injury resulting from electrical shock, do not exceed maximum input voltage specified in table 10 of this quick start guide, or on the product nameplate. If the input voltage specified differs, do not exceed the lowest specified maximum input voltage.

Personal injury or property damage caused by fire or explosion may occur if this connection is attempted in a potentially explosive atmosphere or in an area that has been classified as hazardous. Confirm that area classification and atmosphere conditions permit the safe removal of the terminal box cover before proceeding.

⚠ WARNING

Select wiring and/or cable glands that are rated for the environment of use (such as hazardous area, ingress protection and temperature). Failure to use properly rated wiring and/or cable glands can result in personal injury or property damage from fire or explosion.

Wiring connections must be in accordance with local, regional, and national codes for any given hazardous area approval. Failure to follow the local, regional, and national codes could result in personal injury or property damage from fire or explosion

4-20 mA Loop Connections

The digital valve controller is normally powered by a control system output card. The use of shielded cable will ensure proper operation in electrically noisy environments.

Note

Connect the digital valve controller to a 4-20 mA current source for operation in the point-to-point wiring mode. In the point-to-point wiring mode, the digital valve controller will not operate when connected to a voltage source.

Wire the digital valve controller as follows, refer to figure 16:

1. Remove the loop connections terminal box cap (see figure 13).
2. Route the field wiring into the terminal box. When applicable, install conduit using local and national electrical codes which apply to the application.
3. Connect the control system output card positive wire “current output“ to the LOOP + screw terminal in the terminal box. Connect the control system output card negative (or return) wire to the LOOP - screw terminal in the terminal box.

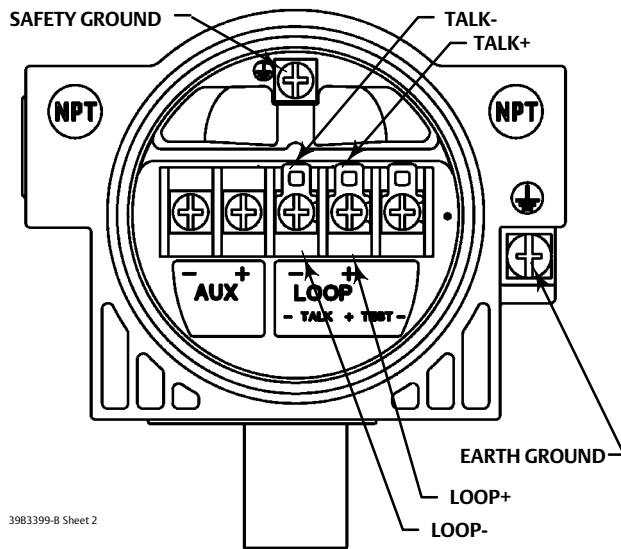
4. As shown in figure 16, two ground terminals are available for connecting a safety ground, earth ground, or drain wire. The safety ground is electrically identical to the earth ground. Make connections to these terminals following national and local codes and plant standards.
5. Replace and hand tighten the terminal box cap. When the loop is ready for startup, apply power to the control system output card.

⚠ WARNING

Personal injury or property damage, caused by fire or explosion, can result from the discharge of static electricity. Connect a 14 AWG (2.08 mm²) ground strap between the digital valve controller and earth ground when flammable or hazardous gases are present. Refer to national and local codes and standards for grounding requirements.

To avoid static discharge from the plastic cover, do not rub or clean the cover with solvents. Clean with a mild detergent and water only.

Figure 16. Loop Connections Terminal Box

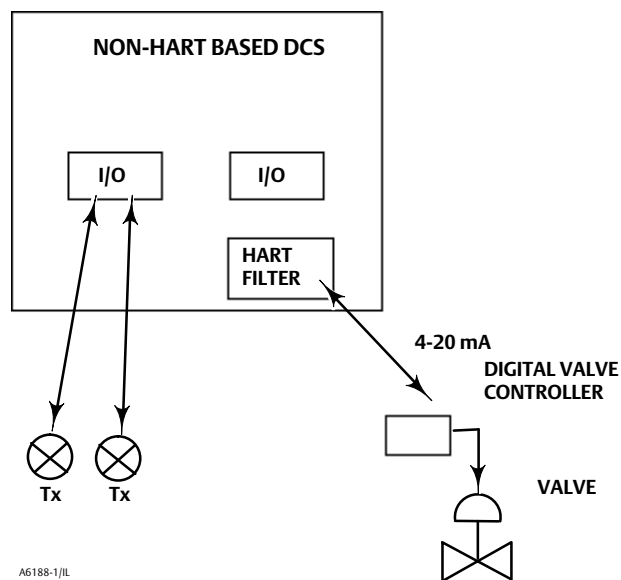


HART Filter

Depending on the control system you are using, a HART filter may be needed to allow HART communication. The HART filter is a passive device that is inserted in field wiring from the HART loop. The filter is normally installed near the field wiring terminals of the control system I/O (see figure 17). Its purpose is to effectively isolate the control system output from modulated HART communication signals and raise the impedance of the control system to allow HART communication. For more information on the description and use of the HART filter, refer to the appropriate separate HART filter instruction manual.

To determine if your system requires a filter contact your Emerson Process Management sales office.

Figure 17. HART Filter Application



A6188-1/JL

✓ Installation Check List

Mounting

- Is the instrument correctly mounted on the actuator? If not, refer to appropriate mounting procedure and see installation instructions provided with the mounting kit.
- Is the feedback linkage properly connected? If not, see installation instructions provided with the mounting kit.

Pneumatic Connections and Air Supply

- Is the regulator correctly mounted? If not, perform one of the regulator mounting procedures on page 24.
- Is the air supply connected and at proper pressure? If not, connect supply as described on page 25. Also see specifications on page 41.
- Is the instrument output connected to the actuator? If not, connect instrument output as described on page 26.

Wiring and Electrical Connections

- If necessary, is the conduit properly installed? If not, refer to local and national electrical codes.
- Is the loop wiring properly connected to the LOOP + and - terminals in the terminal box? If not, connect loop wiring as described on page 28.
- If necessary, is the HART filter installed on your system? To determine if a HART filter is necessary, contact your Emerson Process Management sales office. For HART filter installation information, refer to the appropriate HART instruction manual.

You are ready to perform Basic Setup and Calibration in the next section.

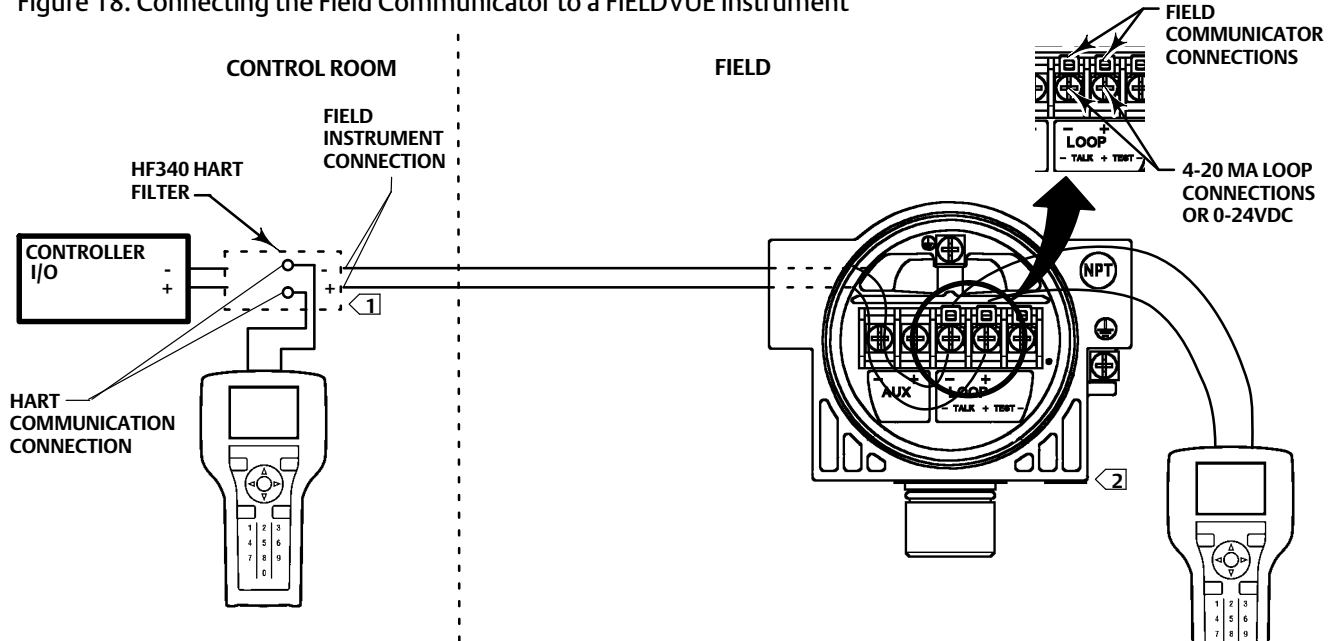
Basic Setup and Calibration

Connecting the Field Communicator to the Digital Valve Controller

The Field Communicator may be connected to the 4-20 mA loop wiring or directly to the digital valve controller (see figure 18).

If the Field Communicator is connected directly to the digital valve controller, attach the clip-on wires provided with the Field Communicator to the TALK terminals, or the LOOP + and - terminals, in the digital valve controller terminal box. The TALK terminals are the same as the LOOP + and - terminals (see figure 16).

Figure 18. Connecting the Field Communicator to a FIELDVUE Instrument



NOTE:
[1] NOT ALL CONTROL SYSTEMS REQUIRE A HART FILTER. IF NO HART FILTER IS PRESENT, CONNECT FIELD COMMUNICATOR TO CONTROL SYSTEM OUTPUT TERMINALS.
[2] SEE FIGURE 16 FOR TERMINAL BOX DETAILS.
3886470-A / DOC
A6194-4 / IL

Basic Setup (1-1)

⚠ WARNING

Changes to the instrument setup may cause changes in the output pressure or valve travel. Depending on the application, these changes may upset process control, which may result in personal injury or property damage.

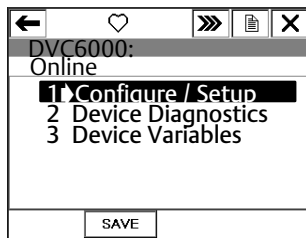
Before beginning Basic Setup, be sure the instrument is correctly mounted. Refer to the installation instructions supplied with the mounting kit.

Connect a 4-20 mA current source to the instrument. Connect the Field Communicator to the instrument and turn it on. For information on connecting the Field Communicator, see Connecting the Field Communicator to the Digital Valve Controller.

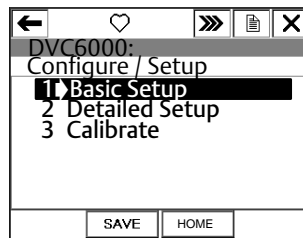
Typical Actuators

The Setup Wizard determines the required setup information based upon the actuator manufacturer and model specified. Turn on the Field Communicator and start the Setup Wizard by proceeding through the menu sequence shown in figure 19 or enter the fast-key sequence 1-1-1 on the keypad. Follow the prompts on the Field Communicator display to setup the instrument. If the actuator on which the instrument is mounted is not listed by the Setup Wizard, specify OTHER as the actuator manufacturer or actuator type and refer to Non-Typical Actuators.

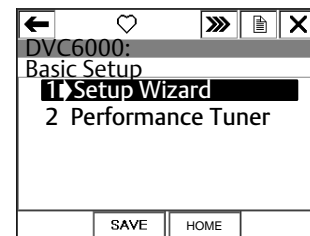
Figure 19. Accessing the Setup Wizard on the Field Communicator (Instrument Level HC, AD, and PD)



From the DVC6000 Online menu, select Configure / Setup



From the Configure / Setup menu, select Basic Setup.



From the Basic Setup menu, select Setup Wizard and follow the on-line instructions

⚠ WARNING

During calibration the valve will move full stroke. To avoid personal injury and property damage caused by the release of process fluid or pressure, isolate the valve from the process and equalize pressure on both sides of the valve or bleed off the process fluid.

After completing the setup information, travel is automatically calibrated. Follow the prompts on the Field Communicator display. The calibration procedure uses the valve and actuator stops as the 0% and 100% calibration points. For additional information, refer to Auto Calibrate Travel in this section.

When travel calibration is complete, you are asked if you wish to adjust the relay (double-acting only). Select yes to adjust the relay. For additional information, refer to Relay Adjustment in this section.

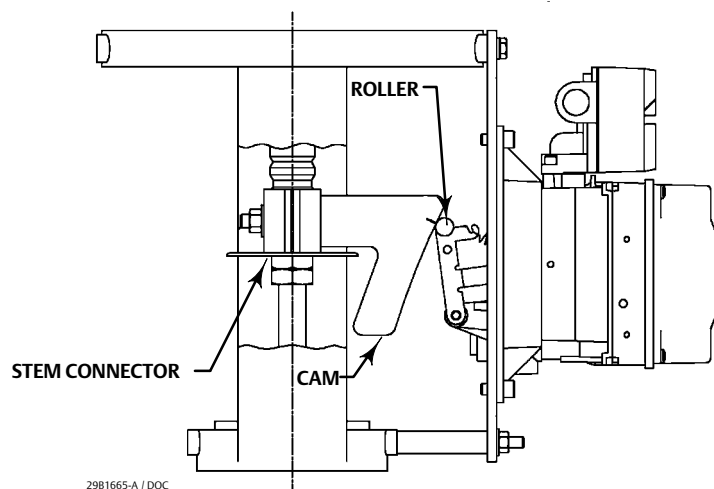
Non-Typical Actuators

If the actuator on which the instrument is mounted is not listed by the Setup Wizard, specify OTHER as the actuator manufacturer or actuator type. You are then prompted for setup parameters such as:

- Actuator Style (spring & diaphragm, piston double-acting without spring, piston single-acting with spring, piston double-acting with spring)

- **Valve Style** (rotary or sliding-stem)
- **On Loss of Instrument Signal, Valve (opens or closes)** This identifies whether the valve is fully open or fully closed when the input is 0%. If you are unsure how to set this parameter, disconnect the current source to the instrument. (With double-acting and single-acting direct digital valve controllers, disconnecting the current source is the same as setting the output A pressure to zero. For single-acting reverse digital valve controllers, disconnecting the current source is the same as setting the output B pressure to supply.)
- **Feedback Connection** (Rotary - All, SStem - Standard, SStem - Roller). For rotary valves, enter Rotary - All. For sliding-stem valves, if the feedback linkage consists of a connector arm, adjustment arm, and feedback arm (similar to figure 22), enter SStem - Standard. If the feedback linkage consists of a roller that follows a cam (similar to figure 20), enter SStem - Roller.

Figure 20. Feedback Connection for Typical Long-Stroke Sliding-Stem Actuator (4 to 24 inches travel)



⚠ WARNING

If you answer YES to the prompt for permission to move the valve when determining travel sensor motion, the instrument will move the valve through a significant portion of its travel range. To avoid personal injury and property damage caused by the release of pressure or process fluid, provide some temporary means of control for the process.

- **Travel Sensor Motion** The Setup Wizard asks if it can move the valve to determine travel sensor motion. If you answer Yes, the instrument will stroke the valve the full travel span to determine travel sensor motion. If you answer No, then you must specify the rotation for increasing air pressure: clockwise or counterclockwise. Determine rotation by viewing the end of the travel sensor shaft.

For instruments with relay A or C. If increasing air pressure at output A causes the shaft to turn clockwise, enter Clockwise. If it causes the shaft to turn counterclockwise, enter Cntrclockwise.

For instruments with relay B. If decreasing air pressure at output B causes the shaft to turn clockwise, enter Clockwise. If it causes the shaft to turn counterclockwise, enter Cntrclockwise.

Note

Relay adjustment may be required before the Setup Wizard can determine travel sensor motion. Follow the prompts on the Field Communicator display if relay adjustment is necessary.

- Volume Booster The Setup Wizard asks if a volume booster or quick release is present.

⚠ WARNING

Changes to the tuning set may cause the valve/actuator assembly to stroke. To avoid personal injury and property damage caused by moving parts, keep hands, tools, and other objects away from the valve/actuator assembly.

- Tuning Set There are twelve tuning sets from which to choose. Each tuning set provides preselected values for the digital valve controller gain and rate settings. Typically, tuning set B provides the slowest response and M provides the fastest response. For smaller actuators, use tuning set C or D. For larger actuators, use tuning set F or G.

Note

Tuning set B is only available in Pressure Control Mode.

In addition, you can select User Adjusted or Expert, which allows you to modify tuning of the digital valve controller. With User Adjusted you can specify the proportional gain. An algorithm in the Field Communicator calculates the other gains. With Expert you can specify not only the proportional gain but the velocity and minor loop feedback gain as well.

Note

Use Expert tuning only if standard tuning has not achieved the desired results.

Stabilize/Optimize or Performance Tuner may be used to achieve the desired results more rapidly than Expert tuning.

The tuning sets suggested by the Setup Wizard are only recommended starting points. After you finish setting up and calibrating the instrument, run the Performance Tuner or use Stabilize/Optimize Tuning to obtain optimum tuning.

Factory Defaults

During basic setup, the Setup Wizard will ask you if you want to use factory defaults. If you select YES, the Setup Wizard sets the setup parameters to the values listed in table 8. (Yes is recommended for initial setup). If you select NO, the setup parameters listed in the table remain at their previous settings.

Table 8. Factory Default Settings

Setup Parameter	Default Setting
Analog Input Units	mA
Analog In Range High	20.0 mA
Analog In Range Low	4.0 mA
Control Mode	Analog
Restart Control Mode	Resume Last
Self-Test Shutdown	All Failures Disabled
Set Point Filter Time	Filter Off
Input Characteristic	Linear
Travel Limit High	125%
Travel Limit Low	-25%
Travel Cutoff High	99.5%
Travel Cutoff Low	0.5%
Minimum Opening Time	0 secs
Minimum Closing Time	0 secs
Polling Address	0
Aux Terminal Mode	Aux Input Alert
Command 3 Pressure Double-acting actuators Single-acting actuators	differential output pressure actuator pressure

Relay Adjustment

The double-acting relay can be adjusted as part of the Setup Wizard. The following is a brief description of relay adjustment. For additional information, see the Calibration section in the DVC6000 instruction manual.

Note

Relay B and C are not user-adjustable.

Double-Acting Relay (Relay A)

The double-acting relay is designated relay A. For double-acting actuators, the valve must be near mid-travel to properly adjust the relay. The Field Communicator will automatically position the valve when *Relay Adjust* is selected.

Rotate the adjustment disc, shown in figure 21, until the value displayed on the Field Communicator is between 50 and 70% of supply pressure. This adjustment is very sensitive. Be sure to allow the pressure reading to stabilize before making another adjustment (stabilization may take up to 30 seconds or more for larger actuators).

If the low bleed relay option has been ordered stabilization may take approximately two minutes longer than the standard relay.

Relay A may also be adjusted for use in single-acting-direct applications. Rotate the adjustment disc as shown in figure 21 for single-acting direct operation.

CAUTION

Care should be taken during relay adjustment as the adjustment disc may disengage if rotated too far.

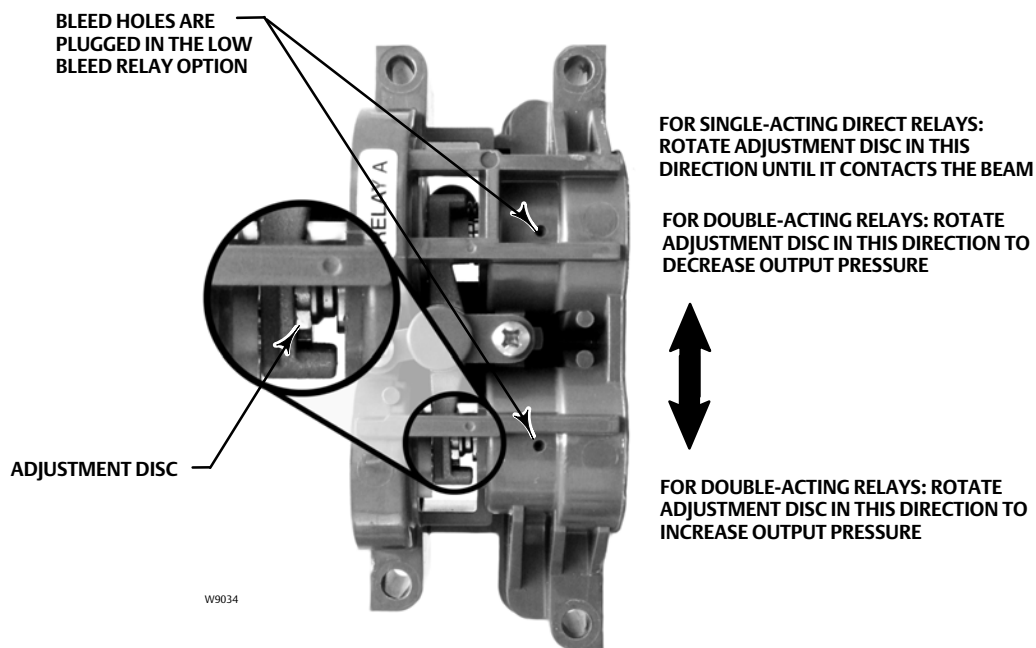
Single-Acting Direct Relay (Relay C)

The single-acting direct relay is designated relay C, and requires no adjustment.

Single-Acting Reverse Relay (Relay B)

The single-acting reverse relay is designated relay B. Relay B is calibrated at the factory and requires no further adjustment.

Figure 21. Relay A Adjustment (Shroud Removed for Clarity)



Auto Calibrate Travel

⚠ WARNING

During calibration the valve will move full stroke. To avoid personal injury and property damage caused by the release of process fluid or pressure, isolate the valve from the process and equalize pressure on both sides of the valve or bleed off the process fluid.

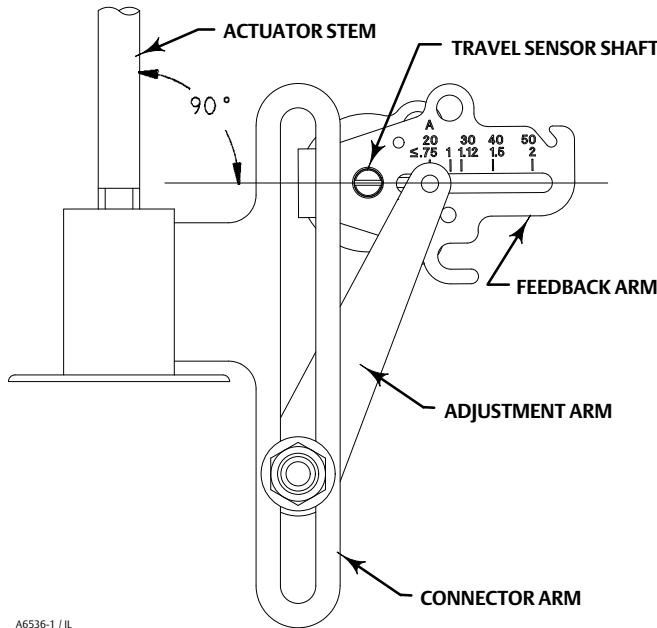
The instrument is calibrated during the Setup Wizard. Follow the prompts on the Field Communicator display to automatically calibrate instrument travel. The calibration procedure uses the valve and actuator stops as the 0% and 100% calibration points.

For additional calibration information, refer to the DVC6000 instruction manual.

1. If the Feedback Connection is Sliding-Stem Standard, the Field Communicator prompts you to select the method of crossover adjustment: manual, last value, or default. Manual adjustment is recommended for initial travel calibration.

- When prompted by the Field Communicator, make the crossover adjustment by adjusting the current source until the feedback arm is 90° to the actuator stem, as shown in figure 22.

Figure 22. Crossover Point



A6536-1 / IL

- The remainder of the auto-calibration procedure is automatic. After completing auto travel calibration, the Field Communicator prompts you to place the instrument In Service and verify that the travel properly tracks the current source.

If the unit does not calibrate, refer to table 9 for error messages and possible remedies.

If after completing setup and calibration the valve cycles or overshoots (unstable), or is unresponsive (sluggish), you can improve operation by selecting either *Performance Tuner* or *Stabilize/Optimize* from the *Basic Setup* menu.

Table 9. Auto Calibrate Travel Error Messages

Error Message	Possible Problem and Remedy
Input current must exceed 3.8 mA for calibration.	The analog input signal to the instrument must be greater than 3.8 mA. Adjust the current output from the control system or the current source to provide at least 4.0 mA.
Place Out Of Service and ensure Calibrate Protection is disabled before calib.	The Instrument Mode must be <i>Out of Service</i> and the Protection must be <i>None</i> before the instrument can be calibrated.
Calibration Aborted. An end point was not reached.	The problem may be one or the other of the following: 1. The tuning set selected is too low and the valve does not reach an end point in the allotted time. Press the Hot Key, select <i>Stabilize/Optimize</i> then <i>Increase Response</i> (selects next higher tuning set). 2. The tuning set selected is too high, valve operation is unstable and does not stay at an end point for the allotted time. Press the Hot Key, select <i>Stabilize/Optimize</i> then <i>Decrease Response</i> (selects next lower tuning set).
Invalid travel value. Check mounting and feedback arm adjustments, and inst supply press. Then, repeat Auto Calibration.	Verify proper mounting by referring to the appropriate mounting instructions. Verify instrument supply pressure by referring to the specifications in the appropriate actuator instruction manual. Making the crossover adjustment with the valve positioned at either end of its travel will also cause this message to appear.
Aborting due to response code or device status.	The instrument may have been taken out of service by a primary master. Put the instrument into service with the primary master or cycle the power off and on.

Performance Tuner (1-1-2)

Note

The Performance Tuner is not available for instrument level AC or HC.

⚠ WARNING

During performance tuning the valve may move, causing process fluid or pressure to be released. To avoid personal injury and property damage caused by the release of process fluid or pressure, isolate the valve from the process and equalize pressure on both sides of the valve or bleed off the process fluid.

The Performance Tuner is used to optimize digital valve controller tuning. It can be used on most sliding-stem and rotary designs, including Fisher and other manufacturers' products. Moreover, because the Performance Tuner can detect internal instabilities before they become apparent in the travel response, it can generally optimize tuning more effectively than manual tuning. Typically, the Performance Tuner takes 3 to 5 minutes to tune an instrument, although tuning instruments mounted on larger actuators may take longer.

Access the Performance Tuner by selecting *Performance Tuner* from the *Basic Setup* menu. Follow the prompts on the Field Communicator display to optimize digital valve controller tuning.

Stabilizing or Optimizing Valve Response (▶▶ or 1-1-2)

Note

Stabilize/Optimize is only available through the Basic Setup menu for instrument level HC.

⚠ WARNING

During Stabilize/Optimize the valve may move, causing process fluid or pressure to be released. To avoid personal injury and property damage caused by the release of process fluid or pressure, isolate the valve from the process and equalize pressure on both sides of the valve or bleed off the process fluid.

If after completing setup and calibration the valve seems slightly unstable or unresponsive, you can improve operation by pressing the Hot Key and selecting *Stabilize/Optimize*, or select *Stabilize/Optimize* from the *Basic Setup* menu.

Stabilize/Optimize permits you to adjust valve response by changing the digital valve controller tuning.

If the valve is unstable, select *Decrease Response* to stabilize valve operation. This selects the next lower tuning set (e.g., F to E). If the valve response is sluggish, select *Increase Response* to make the valve more responsive. This selects the next higher tuning set (e.g., F to G).

If after selecting *Decrease Response* or *Increase Response* the valve travel overshoot is excessive you can adjust the damping by selecting *Decrease Damping* or *Increase Damping*. By selecting *Decrease Damping* or *Increase Damping* the

tuning set will become Expert, and allow you to select a damping value that is not represented in a predefined tuning set. Select *Decrease Damping* to select a damping value that allows more overshoot. Select *Increase Damping* to select a damping value that will decrease the overshoot.

✓ Basic Setup and Calibration Check List

- Is basic setup complete? If not, perform Basic Setup procedure on page 32.
- Does the final control element correctly respond to a setpoint change and is it stable? If not, perform Stabilizing or Optimizing Valve Response on page 39.

Final control element is ready to be placed on line.

Table 10. Specifications

<p>Available Configurations</p> <p>Valve-Mounted Instrument <i>DVC6010:</i> Sliding-stem applications <i>DVC6020:</i> Rotary and long-stroke sliding-stem applications <i>DVC6030:</i> Quarter-turn rotary applications</p> <p>Remote-Mounted Instrument⁽¹⁾ <i>DVC6005:</i> Base unit for 2 inch pipestand or wall mounting <i>DVC6015:</i> Feedback unit for sliding-stem applications <i>DVC6025:</i> Feedback unit for rotary or long-stroke sliding-stem applications <i>DVC6035:</i> Feedback unit for quarter-turn rotary applications</p> <p>DVC6000 digital valve controllers can be mounted on Fisher and other manufacturers rotary and sliding-stem actuators.</p> <p>Input Signal</p> <p>Point-to-Point: <i>Analog Input Signal:</i> 4-20 mA DC, nominal Minimum Voltage Available at instrument terminals must be 10.5 volts DC for analog control, 11 volts DC for HART communication (see instrument instruction manual for details) <i>Minimum Control Current:</i> 4.0 mA <i>Minimum Current w/o Microprocessor Restart:</i> 3.5 mA <i>Maximum Voltage:</i> 30 volts DC <i>Overcurrent Protection:</i> Input circuitry limits current to prevent internal damage. <i>Reverse Polarity Protection:</i> No damage occurs from reversal of loop current.</p> <p>Multi-drop: <i>Instrument Power:</i> 11-30 volts DC at approximately 8 mA <i>Reverse Polarity Protection:</i> No damage occurs from reversal of loop current.</p> <p>Output Signal</p> <p>Pneumatic signal as required by the actuator, up to full supply pressure. Minimum Span: 0.4 bar (6 psig) Maximum Span: 9.5 bar (140 psig) Action: Double, Single direct, and Single reverse</p>	<p>Supply Pressure⁽²⁾</p> <p>Recommended: 0.3 bar (5 psig) higher than maximum actuator requirements, up to maximum supply pressure</p> <p>Maximum: 10.0 bar (145 psig) or maximum pressure rating of the actuator, whichever is lower</p> <p>Medium: Air or Natural Gas⁽³⁾</p> <p><i>Air:</i> Supply pressure must be clean, dry air that meets the requirements of ISA Standard 7.0.01. A maximum 40 micrometer particle size in the air system is acceptable. Further filtration down to 5 micrometer particle size is recommended. Lubricant content is not to exceed 1 ppm weight (w/w) or volume (v/v) basis. Condensation in the air supply should be minimized</p> <p><i>Natural Gas:</i> Natural gas must be clean, dry, oil-free, and noncorrosive. H₂S content should not exceed 20 ppm.</p> <p>Steady-State Air Consumption⁽⁴⁾</p> <p>Standard Relay: At 1.4 bar (20 psig) supply pressure: Less than 0.38 normal m³/hr (14 scfh) At 5.5 bar (80 psig) supply pressure: Less than 1.3 normal m³/hr (49 scfh)</p> <p>Low Bleed Relay⁽⁵⁾: At 1.4 bar (20 psig) supply pressure: Average value 0.056 normal m³/hr (2.1 scfh) At 5.5 bar (80 psig) supply pressure: Average value 0.184 normal m³/hr (6.9 scfh)</p> <p>Maximum Output Capacity⁽⁴⁾</p> <p>At 1.4 bar (20 psig) supply pressure: 10.0 normal m³/hr (375 scfh) At 5.5 bar (80 psig) supply pressure: 29.5 normal m³/hr (1100 scfh)</p> <p>Failure Modes</p> <p>Refer to figure 23</p> <p>Independent Linearity⁽⁶⁾</p> <p>±0.50% of output span</p>
---	---

-continued-

Table 10. Specifications (continued)

<p>Electromagnetic Compatibility</p> <p>Meets EN 61326-1 (First Edition)</p> <p>Immunity—Industrial locations per Table 2 of the EN 61326-1 standard. Performance is shown in table 11 below</p> <p>Emissions—Class A</p> <p>ISM equipment rating: Group 1, Class A</p> <p><i>Lightning and Surge Protection</i>—The degree of immunity to lightning is specified as Surge immunity in table 11. For additional surge protection commercially available transient protection devices can be used.</p> <p>Vibration Testing Method</p> <p>Tested per ANSI/ISA-75.13.01 Section 5.3.5. A resonant frequency search is performed on all three axes. The instrument is subjected to the ISA specified 1/2 hour endurance test at each major resonance, plus an additional two million cycles.</p> <p>Input Impedance</p> <p>The input impedance of the DVC6000 active electronic circuit is not purely resistive. For comparison to resistive load specifications, an equivalent impedance of 550 ohms may be used. This value corresponds to 11V @ 20 mA.</p> <p>Operating Ambient Temperature Limits^(2,7)</p> <p>-40 to 85°C (-40 to 185°F) for most approved valve-mounted instruments</p> <p>-60 to 125°C (-76 to 257°F) for remote-mounted feedback unit.</p> <p>-52 to 85°C (-62 to 185°F) for valve-mounted instruments utilizing the Extreme Temperature option (fluorosilicone elastomers)</p> <p>Humidity Limits</p> <p>0 to 100% condensing relative humidity with minimal zero or span shifts</p> <p>Electrical Classification</p> <p>Hazardous Area:</p> <p>CSA— Intrinsicly Safe, Explosion-proof, Division 2, Dust Ignition-proof</p> <p>FM— Intrinsicly Safe, Explosion-proof, Non-incendive, Dust Ignition-proof</p> <p>ATEX— Intrinsicly Safe and Dust, Flameproof and Dust, Type n and Dust</p> <p>IECEx— Intrinsicly Safe, Flameproof, Type n</p>	<p>NEPSI— Intrinsicly Safe, Flameproof</p> <p>INMETRO — Intrinsicly Safe, Flameproof, Type n</p> <p>Refer to Special Instructions for “Safe Use” and Installation in Hazardous Locations, starting on page 11, for specific approval information.</p> <p>Pollution Degree 2, Overvoltage Category III per ANSI/ISA-82.02.01 (IEC 61010-1 Mod).</p> <p>Electrical Housing:</p> <p>CSA—Type 4X, IP66</p> <p>FM—NEMA 4X</p> <p>ATEX—IP66</p> <p>IECEx—IP66</p> <p>NEPSI—IP66</p> <p>INMETRO—IP66W</p> <p>Other Classifications/Certifications</p> <p>TIIS— Japan</p> <p>KISCO— Korea Industrial Safety Corp.</p> <p>GOST-R— Russian GOST-R</p> <p>FSETAN— Russian - Federal Service of Technological, Ecological and Nuclear Inspectorate</p> <p>Contact your Emerson Process Management sales office for classification/certification specific information</p> <p>IEC 61010 Compliance Requirements (Valve-Mounted Instruments only)</p> <p>Power Source: The loop current must be derived from a Separated Extra-Low Voltage (SELV) power source</p> <p>Environmental Conditions: Installation Category I</p> <p>Connections</p> <p>Supply Pressure: 1/4 NPT internal and integral pad for mounting 67CFR regulator</p> <p>Output Pressure: 1/4 NPT internal</p> <p>Tubing: 3/8-inch, recommended</p> <p>Vent (pipe-away): 3/8 NPT internal</p> <p>Electrical: 1/2 NPT internal conduit connection, M20 adapter optional</p> <p>Stem/Shaft Travel</p> <p>Linear Actuators with rated travel between 6.35 mm (0.25 inch) and 606 mm (23.375 inches)</p> <p>Rotary Actuators with rated travel between 50 degrees and 180 degrees.</p>
---	---

-continued-

Table 10. Specifications (continued)

<p>Mounting⁽⁸⁾</p> <p>Designed for direct actuator mounting or remote pipestand or wall mounting. Mounting the instrument vertically, with the vent at the bottom of the assembly, or horizontally, with the vent pointing down, is recommended to allow drainage of moisture that may be introduced via the instrument air supply.</p> <p>Weight</p> <p>Valve-Mounted Instruments Aluminum: 3.5 kg (7.7 lbs) Stainless Steel: 7.7 kg (17 lbs)</p> <p>Remote-Mounted Instruments DVC6005 Base Unit: 4.1 kg (9 lbs) DVC6015 Feedback Unit: 1.3 kg (2.9 lbs) DVC6025 Feedback Unit: 1.4 kg (3.1 lbs) DVC6035 Feedback Unit: 0.9 kg (2.0 lbs)</p> <p>Construction Materials</p> <p>Housing, module base and terminal box: ASTM B45 A03600 low copper aluminum alloy Cover: Thermoplastic polyester Elastomers: Nitrile (standard)</p>	<p>Options</p> <ul style="list-style-type: none"> ■ Supply and output pressure gauges or ■ Tire valves, ■ Integral mounted filter regulator, ■ Stainless steel housing, module base and terminal box ■ Low bleed relay ■ In-line 10 micron air filter ■ Safety Instrumented System (SIS) Solutions ■ Safety Related Nuclear Applications ■ Natural Gas Certified ■ Feedback Assembly PTFE Sleeve Protective Kit for aluminum units in saltwater or particulate environments <p>Declaration of SEP</p> <p>Fisher Controls International LLC declares this product to be in compliance with Article 3 paragraph 3 of the Pressure Equipment Directive (PED) 97 / 23 / EC. It was designed and manufactured in accordance with Sound Engineering Practice (SEP) and cannot bear the CE marking related to PED compliance.</p> <p>However, the product <i>may</i> bear the CE marking to indicate compliance with <i>other</i> applicable European Community Directives.</p>
--	---

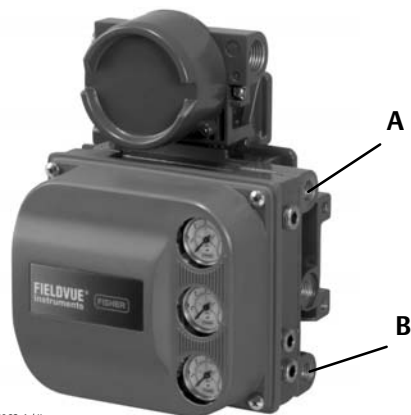
NOTE: Specialized instrument terms are defined in ISA Standard 51.1 - Process Instrument Terminology.
 1. 3-conductor shielded cable, 22 AWG minimum wire size, is required for connection between base unit and feedback unit. Pneumatic tubing between base unit output connection and actuator has been tested to 15 meters (50 feet) maximum without performance degradation.
 2. The pressure/temperature limits in this quick start guide and any applicable code or standard should not be exceeded.
 3. Gas Certified DVC6000 digital valve controllers are approved by CSA, FM, ATEX, IECEx, and INMETRO for use with natural gas as the supply medium.
 4. Values at 1.4 bar (20 psig) based on a single-acting direct relay; values at 5.5 bar (80 psig) based on double-acting relay.
 5. The low bleed relay is offered as standard relay for DVC6000 SIS tier, used for On/Off applications.
 6. Typical value. Not applicable for travels less than 19 mm (0.75 inch) or for shaft rotation less than 60 degrees. Also not applicable for DVC6020 digital valve controllers in long-stroke applications.
 7. Temperature limits vary based on hazardous area approval.
 8. Do not use the DVC6010S or DVC6020S in high vibration service where the mounting bracket uses standoffs (spacers) to mount to the actuator. Due to NAMUR mounting limitations, do not use the DVC6030S in high vibration service.

Table 11. EMC Summary Results—Immunity

Port	Phenomenon	Basic Standard	Test Level	Performance Criteria ⁽¹⁾	
				Point-to-Point Mode	Multi-drop Mode
Enclosure	Electrostatic discharge (ESD)	IEC 61000-4-2	4 kV contact 8 kV air	A ⁽²⁾	A
	Radiated EM field	IEC 61000-4-3	80 to 1000 MHz @ 10V/m with 1 kHz AM at 80% 1400 to 2000 MHz @ 3V/m with 1 kHz AM at 80% 2000 to 2700 MHz @ 1V/m with 1 kHz AM at 80%	A	A
	Rated power frequency magnetic field	IEC 61000-4-8	30 A/m at 50/60 Hz	A	A
I/O signal/control	Burst	IEC 61000-4-4	1 kV	A ⁽²⁾	A
	Surge	IEC 61000-4-5	1 kV (line to ground only, each)	B	B
	Conducted RF	IEC 61000-4-6	150 kHz to 80 MHz at 3 Vrms	A	A

Performance Criteria: +/- 1% effect.
 1. A = No degradation during testing, B = Temporary degradation during testing, but is self-recovering.
 2. Excluding auxiliary switch function, which meets Performance Criteria B.

Figure 23. FIELDVUE DVC6000 Digital Valve Controller Failure Modes



W7963-1 / IL

Relay Type	Loss of Power	Loss of Pneumatic Supply
Single-Acting Direct (Relay C)	Instrument goes to zero air output at port A.	Failure direction per actuator fail mode.
Double-Acting (Relay A)	Instrument goes to full supply air output at port B. A goes to zero air output.	Failure direction cannot be determined.
Single-Acting Reverse (Relay B)	Instrument goes to full supply air output at port B.	Failure direction per actuator fail mode.

Related Documents

This section lists other documents containing information related to DVC6000 digital valve controllers. These documents include:

- Bulletin 62.1:DVC6000—Fisher FIELDVUE DVC6000 Digital Valve Controllers (D102758X012)
- Bulletin 62.1:DVC6000(S1)—Fisher FIELDVUE DVC6000 Digital Valve Controller Dimensions (D103308X012)
- Fisher FIELDVUE DVC6000 Digital Valve Controllers Instruction Manual (D102794X012)
- Supplement to Fisher FIELDVUE DVC6000 Digital Valve Controller Quick Start Guide— Remote Mount Installation Guidelines (D103421X012)
- Supplement to HART Communicating Fisher FIELDVUE Digital Valve Controller Instruction Manuals— FIELDVUE Digital Valve Controller Split Ranging (D103262X012)
- Supplement to HART Communicating Fisher FIELDVUE Instrument Instruction Manuals—Using FIELDVUE Instruments with the Smart HART Loop Interface and Monitor (HIM) (D103263X012)
- Using FIELDVUE Instruments with the Smart Wireless THUM™ Adapter and a HART Interface Module (HIM) - Supplement to HART Communicating Fisher FIELDVUE Instrument Instruction Manuals (D103469X012)
- Supplement to HART Communicating Fisher FIELDVUE Instrument Instruction Manuals—Audio Monitor for HART Communications (D103265X012)
- Supplement to HART Communicating Fisher FIELDVUE Instrument Instruction Manuals—HART Field Device Specification (D103266X012)
- Supplement to HART Communicating Fisher FIELDVUE Instrument Instruction Manuals—Using the HART Tri-Loop™ HART-to-Analog Signal Converter with FIELDVUE Digital Valve Controllers (D103267X012)
- Supplement to Fisher FIELDVUE DVC5000 (obsolete product) and DVC6000 Digital Valve Controller Instruction Manuals—Hot Swap Procedure (D103264X012)

- Supplement to Fisher FIELDVUE DVC6000 Digital Valve Controllers Instruction Manual—Lock-in-Last Strategy (D103261X012)
- Supplement to Fisher FIELDVUE DVC6000 and DVC6000 SIS Digital Valve Controllers Instruction Manuals—275 HART Communicator Menu Trees for Firmware 7 Digital Valve Controllers (D103273X012)
- Fisher HF340 Filter Instruction Manual (D102796X012)
- ValveLink Software Help or Documentation

All documents are available from your Emerson Process Management sales office. Also visit our website at www.FIELDVUE.com.

Educational Services

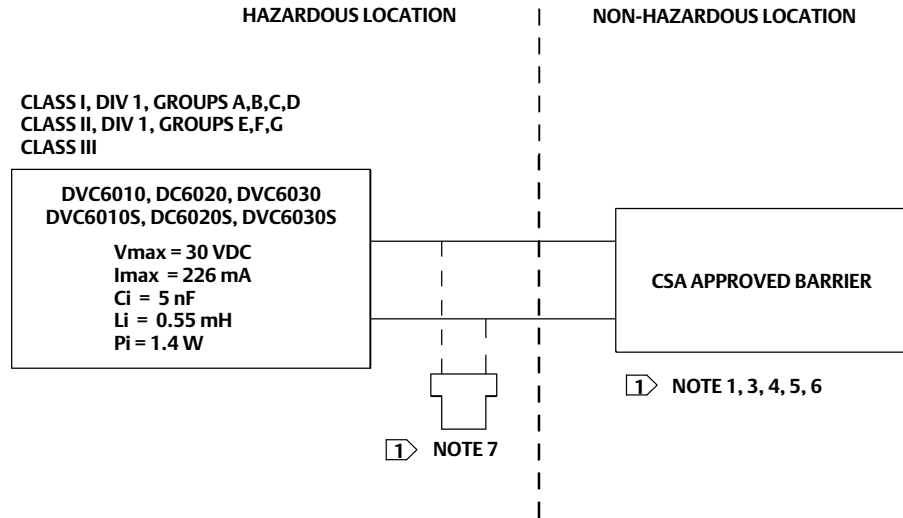
For information on available courses for DVC6000 digital valve controllers, as well as a variety of other products, contact:

Emerson Process Management
Educational Services, Registration
P.O. Box 190; 301 S. 1st Ave.
Marshalltown, IA 50158-2823
Phone: 800-338-8158 or
Phone: 641-754-3771
FAX: 641-754-3431
e-mail: education@emerson.com

Loop Schematics and Nameplates

This section includes loop schematics required for wiring of intrinsically safe installations. It also contains the approvals nameplates. If you have any questions, contact your Emerson Process Management sales office.

Figure 24. CSA Schematic



1 THE ENTITY CONCEPT ALLOWS INTERCONNECTION OF INTRINSICALLY SAFE APPARATUS TO ASSOCIATED APPARATUS NOT SPECIFICALLY EXAMINED IN SUCH COMBINATION. THE CRITERIA FOR INTERCONNECTION IS THAT THE VOLTAGE (V_{max} or U_i), THE CURRENT (I_{max} or I_i), AND THE POWER (P_{max} or P_i) OF THE INTRINSICALLY SAFE APPARATUS MUST BE EQUAL TO OR GREATER THAN THE VOLTAGE (V_{oc} or U_o), AND THE CURRENT (I_{sc} or I_o), AND THE POWER (P_o) DEFINED BY THE ASSOCIATED APPARATUS. IN ADDITION, THE SUM OF THE MAX UNPROTECTED CAPACITANCE (C_i) AND MAX UNPROTECTED INDUCTANCE (L_i), INCLUDING THE INTERCONNECTING CABLING CAPACITANCE (C_{cable}) AND CABLING INDUCTANCE (L_{cable}) MUST BE LESS THAN THE ALLOWABLE CAPACITANCE (C_a) AND INDUCTANCE (L_a) DEFINED BY THE ASSOCIATED APPARATUS. IF THE ABOVE CRITERIA IS MET, THEN THE COMBINATION MAY BE CONNECTED.

$$V_{max} \text{ or } U_i \geq V_{oc} \text{ or } U_o \quad I_{max} \text{ or } I_i \geq I_{sc} \text{ or } I_o \quad P_{max} \text{ or } P_i \geq P_o \quad C_i + C_{cable} \leq C_a \quad L_i + L_{cable} \leq L_a$$

3 INSTALLATION MUST BE IN ACCORDANCE WITH THE NATIONAL ELECTRICAL CODE (NEC) NFPA70 AND ANSI/ISA RP12.6.01

4 MAXIMUM SAFE AREA VOLTAGE SHOULD NOT EXCEED 250 V_{rms}

5 RESISTANCE BETWEEN INTRINSICALLY SAFE GROUND AND EARTH GROUND MUST BE LESS THE ONE OHM

6 LOOPS MUST BE CONNECTED ACCORDING TO THE BARRIER MANUFACTURER'S INSTRUCTIONS.

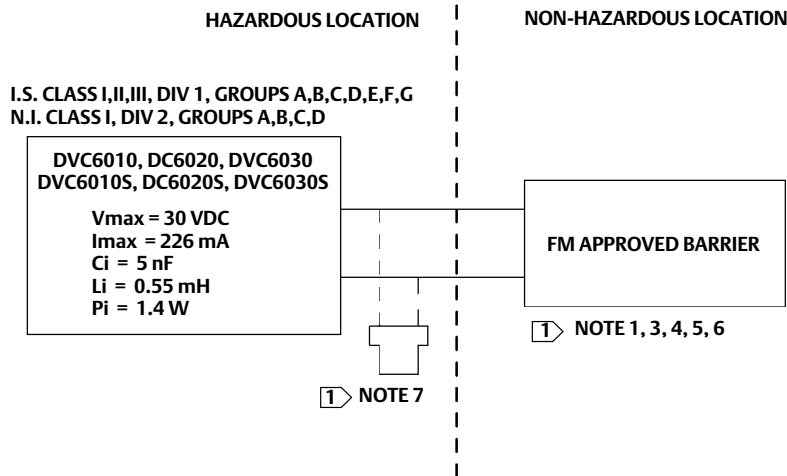
7 IF HAND-HELD COMMUNICATOR OR MULTIPLEXER IS USED IT MUST BE CSA APPROVED WITH ENTITY PARAMETERS AND INSTALLED PER THE MANUFACTURER'S CONTROL DRAWING

GE42818 sheets 2 and 8

Figure 25. CSA Nameplate

AMB TEMP: <input type="text"/> TO 80°C MAX VOLTAGE: 30 VDC --- MAX SUPPLY PRESSURE: 145 PSI ENCLOSURE: TYPE 4X, IP66 SEAL NOT REQUIRED		CL I DIV 1 GP BCD T6; CL I DIV 2 GP ABCD T6 CL II DIV 1 GP EFG T6; CL II DIV 2 GP FG T6; CL III Ex ia INTRINSICALLY SAFE CL I,II,III DIV 1 GP ABCDEFG PER DWG GE42818 T5		FISHER CONTROLS INTL LLC MARSHALLTOWN, IOWA, USA MFG LOCATION: 088	
SERIAL NO <input type="text"/>		CAUTION/WARNINGS: • KEEP COVER TIGHT WHILE CIRCUITS ARE ALIVE • SUBSTITUTION OF COMPONENTS MAY IMPAIR INTRINSIC SAFETY • REFER TO MANUAL FOR ADDITIONAL CAUTIONS/WARNINGS		SA FISHER HART COMMUNICATION PROTOCOL	
INPUT DC --- <input type="text"/>		TYPE <input type="text"/>		GE05621	

Figure 26. FM Schematic



1 THE ENTITY CONCEPT ALLOWS INTERCONNECTION OF INTRINSICALLY SAFE APPARATUS TO ASSOCIATED APPARATUS NOT SPECIFICALLY EXAMINED IN SUCH COMBINATION. THE CRITERIA FOR INTERCONNECTION IS THAT THE VOLTAGE (V_{max} or U_i), THE CURRENT (I_{max} or I_i), AND THE POWER (P_{max} or P_i) OF THE INTRINSICALLY SAFE APPARATUS MUST BE EQUAL TO OR GREATER THAN THE VOLTAGE (V_{oc} or U_o), AND THE CURRENT (I_{sc} or I_o), AND THE POWER (P_o) DEFINED BY THE ASSOCIATED APPARATUS. IN ADDITION, THE SUM OF THE MAX UNPROTECTED CAPACITANCE (C_i) AND MAX UNPROTECTED INDUCTANCE (L_i), INCLUDING THE INTERCONNECTING CABLING CAPACITANCE (C_{cable}) AND CABLING INDUCTANCE (L_{cable}) MUST BE LESS THAN THE ALLOWABLE CAPACITANCE (C_a) AND INDUCTANCE (L_a) DEFINED BY THE ASSOCIATED APPARATUS. IF THE ABOVE CRITERIA IS MET, THEN THE COMBINATION MAY BE CONNECTED.

$$V_{max} \text{ or } U_i \geq V_{oc} \text{ or } U_o \quad I_{max} \text{ or } I_i \geq I_{sc} \text{ or } I_o \quad P_{max} \text{ or } P_i \geq P_o \quad C_i + C_{cable} \leq C_a \quad L_i + L_{cable} \leq L_a$$

3 INSTALLATION MUST BE IN ACCORDANCE WITH THE NATIONAL ELECTRICAL CODE (NEC) NFPA70 AND ANSI/ISA RP12.6.01

4 MAXIMUM SAFE AREA VOLTAGE SHOULD NOT EXCEED 250 V_{rms} .

5 RESISTANCE BETWEEN INTRINSICALLY SAFE GROUND AND EARTH GROUND MUST BE LESS THE ONE OHM

6 LOOPS MUST BE CONNECTED ACCORDING TO THE BARRIER MANUFACTURER'S INSTRUCTION

7 IF HAND-HELD COMMUNICATOR OR MULTIPLEXER IS USED IT MUST BE FM APPROVED WITH ENTITY PARAMETERS AND INSTALLED PER THE MANUFACTURER'S CONTROL DRAWING

GE42819 sheets 2 and 8

Figure 27. FM Nameplate

AMB TEMP: <input type="text"/> TO 80°C MAX VOLTAGE: 30 VDC --- MAX SUPPLY PRESSURE: 145 PSI ENCLOSURE: NEMA 4X FACTORY SEALED		CL I DIV 1 GP BCD T6; CL I DIV 2 GP ABCD T6 CL II DIV 1 GP EFG T6; CL II DIV 2 GP FG T6; CL III INTRINSICALLY SAFE CL I,II,III DIV 1 GP ABCDEFG PER DWG GE42819 T5		FISHER CONTROLS INTL LLC MARSHALLTOWN, IOWA, USA MFG LOCATION: 088 HART COMMUNICATION PROTOCOL FISHER	
SERIAL NO <input type="text"/>		CAUTION/WARNINGS: • KEEP COVER TIGHT WHILE CIRCUITS ARE ALIVE • SUBSTITUTION OF COMPONENTS MAY IMPAIR INTRINSIC SAFETY • REFER TO MANUAL FOR ADDITIONAL CAUTIONS/WARNINGS		FM APPROVED	
INPUT DC --- <input type="text"/>		TYPE <input type="text"/>		GE05622	

Figure 28. ATEX Nameplate; Intrinsically Safe, Dust

FISHER [®]	IP66; 30VDC --- MAX; 145 PSI MAX	LCIE 02 ATEX 6002X	FISHER CONTROLS INTL LLC MARSHALLTOWN, IOWA, USA MFG LOCATION:
	AMB TEMP: <input type="text"/> TO 80°C	Ex ia IIC T5(Tamb ≤ 80°C), T6(Tamb ≤ 75°C) Ga Ex iaD 20 T100°C(Tamb ≤ 80°C) Da Ex iaD 20 T85°C(Tamb ≤ 75°C) Da Ui=30V, Ii=226mA, Pi=1.4W, Ci=5nF, Li=0.55mH; Uo=9.6V, Io=3.5mA, Po=8.4mW, Co=3.6uF, Lo=100mH; (FOR TYPE DVC6005 ONLY)	
	<input type="text"/>		<input type="text"/>
SERIAL NO <input type="text"/>	1180 INPUT DC --- <input type="text"/>	TYPE <input type="text"/>	GE49528

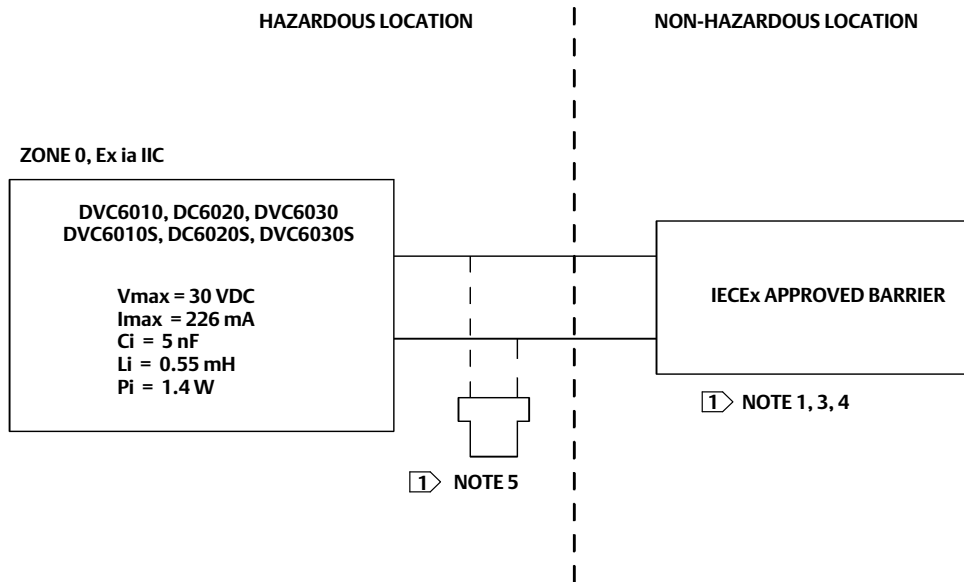
Figure 29. ATEX Nameplate; Flameproof, Dust

FISHER [®]	IP66; 32VDC --- MAX; 145 PSI MAX	LCIE 02 ATEX 6001X	FISHER CONTROLS INTL LLC MARSHALLTOWN, IOWA, USA MFG LOCATION: 433
	AMB TEMP: <input type="text"/> TO 85°C	Ex d IIC T5(Tamb ≤ 85°C), T6(Tamb ≤ 75°C) Ex tD A21 IP66 T90°C(Tamb ≤ 85°C) Ex tD A21 IP66 T80°C(Tamb ≤ 75°C) DISCONNECT POWER BEFORE OPENING	
	<input type="text"/>		<input type="text"/>
SERIAL NO <input type="text"/>	1180 INPUT DC --- <input type="text"/>	TYPE <input type="text"/>	GE49636

Figure 30. ATEX Nameplate; Type n, Dust

FISHER [®]	IP66; 32VDC --- MAX; 145 PSI MAX	LCIE 02 ATEX 6003X	FISHER CONTROLS INTL LLC MARSHALLTOWN, IOWA, USA MFG LOCATION: 433
	AMB TEMP: <input type="text"/> TO 80°C	Ex nCnL IIC T5(Tamb ≤ 80°C), T6(Tamb ≤ 75°C) Ex tD A22 IP66 T85°C(Tamb ≤ 80°C) Ex tD A22 IP66 T80°C(Tamb ≤ 75°C) DISCONNECT POWER BEFORE OPENING	
	<input type="text"/>		<input type="text"/>
SERIAL NO <input type="text"/>	INPUT DC --- <input type="text"/>	TYPE <input type="text"/>	GE49646

Figure 31. IECEx Schematic



1 THE ENTITY CONCEPT ALLOWS INTERCONNECTION OF INTRINSICALLY SAFE APPARATUS TO ASSOCIATED APPARATUS NOT SPECIFICALLY EXAMINED IN SUCH COMBINATION. THE CRITERIA FOR INTERCONNECTION IS THAT THE VOLTAGE (V_{max} or U_i), THE CURRENT (I_{max} or I_i), AND THE POWER (P_{max} or P_i) OF THE INTRINSICALLY SAFE APPARATUS MUST BE EQUAL TO OR GREATER THAN THE VOLTAGE (V_{oc} OR U_o), AND THE CURRENT (I_{sc} or I_o), AND THE POWER (P_o) DEFINED BY THE ASSOCIATED APPARATUS. IN ADDITION, THE SUM OF THE MAX UNPROTECTED CAPACITANCE (C_i) AND MAX UNPROTECTED INDUCTANCE (L_i), INCLUDING THE INTERCONNECTING CABLING CAPACITANCE (C_{cable}) AND CABLING INDUCTANCE (L_{cable}) MUST BE LESS THAN THE ALLOWABLE CAPACITANCE (C_a) AND INDUCTANCE (L_a) DEFINED BY THE ASSOCIATED APPARATUS. IF THE ABOVE CRITERIA IS MET, THEN THE COMBINATION MAY BE CONNECTED.

$$V_{max} \text{ or } U_i \geq V_{oc} \text{ or } U_o \quad I_{max} \text{ or } I_i \geq I_{sc} \text{ or } I_o \quad P_{max} \text{ or } P_i \geq P_o \quad C_i + C_{cable} \leq C_a \quad L_i + L_{cable} \leq L_a$$

3 INSTALLATION MUST BE IN ACCORDANCE WITH THE NATIONAL WIRING PRACTICES OF THE COUNTRY IN USE

4 LOOPS MUST BE CONNECTED ACCORDING TO THE BARRIER MANUFACTURER'S INSTRUCTIONS

5 IF HAND-HELD COMMUNICATOR OR MULTIPLEXER IS USED IT MUST BE IECEx APPROVED WITH ENTITY PARAMETERS AND INSTALLED PER THE MANUFACTURERS CONTROL DRAWING

GE42990
Sheet 2 and 8 of 8

Figure 32. IECEx Nameplate

	<input type="text"/>	CERT NO. IECEx CSA 04.0004X Ex ia IIC HART: T5($T_a \leq 80^\circ\text{C}$),T6($T_a \leq 75^\circ\text{C}$) PER DWG GE42990 FIELDBUS/FISCO/PROFIBUS: T4($T_a \leq 80^\circ\text{C}$),T5($T_a \leq 77^\circ\text{C}$), T6($T_a \leq 62^\circ\text{C}$) PER DWG GE42990	FISHER CONTROLS INTL LLC MARSHALLTOWN, IOWA, USA MFG LOCATION: 433	<input type="checkbox"/>	
	AMB TEMP: <input type="text"/> TO 80°C MAX VOLTAGE: 32 VDC --- IP66, 145 PSI MAX	Ex d IIC T5($T_a \leq 80^\circ\text{C}$),T6($T_a \leq 75^\circ\text{C}$) Ex nC IIC T5($T_a \leq 80^\circ\text{C}$),T6($T_a \leq 75^\circ\text{C}$)	<input type="checkbox"/>		<input type="checkbox"/>
SERIAL NO <input type="text"/>	INPUT DC --- <input type="text"/>	TYPE <input type="text"/>	GE48451		

Figure 33. NEPSI Nameplate





	AMB TEMP: -40°C TO +80°C MAX VOLTAGE: 30 VDC --- MAX SUPPLY: 145 PSI ENCLOSURE: NEMA 4X, IP66		NEPSI CERT NO. GYJ04504, GYJ04505 Ex ia IIC T5(Ta ≤ 80°C),T6(Ta ≤ 75°C) HART: Ui=30VDC, Ii=226mA, Pi=1.4W, Ci=5nF, Li=0.55mH Ex d IIC (EXEPT ACETYLENE) T5(Ta ≤ 80°C),T6(Ta ≤ 75°C) DIP A21 T5(Ta ≤ 80°C)	FISHER CONTROLS INTL LLC MARSHALLTOWN, IOWA, USA MFG LOCATION
	CAUTION/WARNINGS: ○ PROTECT PRODUCT FROM STATIC BUILDUP ○ DO NOT OPEN COVER WHEN CIRCUIT IS ENERGIZED			SERIAL NO <input type="text"/> INPUT DC --- <input type="text"/> TYPE <input type="text"/>

Figure 34. INMETRO Nameplate

	CERT NO. 10-IEEx-0021X BR-Ex ia IIC T5/T6 Gb, BR-Ex d IIC T5/T6 Gb, BR-Ex nC IIC T5/T6 Gc para T5: (-52°C ≤ Tamb ≤ 80°C), para T6: (-52°C ≤ Tamb ≤ 75°C) Ui ≤ 30V Ii ≤ 226mA Pi ≤ 1.4W Ci ≤ 5nF Li ≤ 0.55mH	FISHER CONTROLS INTL LLC MARSHALLTOWN, IOWA, USA MFG LOCATION: 433
	AMB TEMP/TEMPERATURA DE OPERAÇÃO: <input type="text"/> TO/A 80°C MAX VOLTAGE/MÁXIMA VOLTAGEM: 30 VDC --- MAX SUPPLY PRESSURE/MÁXIMA PRESSÃO DE ENTRADA: 145 PSI ENCLOSURE/INVÓLUCRO: TYPE 4X, IP66W	CAUTION/ATENÇÃO: ○ DO NOT OPEN WHEN ENERGIZED NÃO ABRA QUANDO ENERGIZADO ○ AFTER DE-ENERGIZING DELAY 12 SECONDS BEFORE OPENING APÓS DESENERGIZAÇÃO, AGUARDE 12 SEGUNDOS ANTES DA ABERTURA
SERIAL NO. NÚMERO DE SÉRIE <input type="text"/> INPUT ENTRADA DC --- <input type="text"/> TYPE TIPO <input type="text"/>	GE37591	



Neither Emerson, Emerson Process Management, nor any of their affiliated entities assumes responsibility for the selection, use or maintenance of any product. Responsibility for proper selection, use, and maintenance of any product remains solely with the purchaser and end user.

Fisher, FIELDVUE, ValveLink, PlantWeb, THUM, and Tri-loop are marks owned by one of the companies in the Emerson Process Management business division of Emerson Electric Co. Emerson Process Management, Emerson, and the Emerson logo are trademarks and service marks of Emerson Electric Co. All other marks are the property of their respective owners.

The contents of this publication are presented for informational purposes only, and while every effort has been made to ensure their accuracy, they are not to be construed as warranties or guarantees, express or implied, regarding the products or services described herein or their use or applicability. All sales are governed by our terms and conditions, which are available upon request. We reserve the right to modify or improve the designs or specifications of such products at any time without notice.

Emerson Process Management
Marshalltown, Iowa 50158 USA
Sorocaba, 18087 Brazil
Chatham, Kent ME4 4QZ UK
Dubai, United Arab Emirates
Singapore 128461 Singapore

www.Fisher.com